

FMD-1 Black

30.0" x 21.0" x 7.9"
(76.2cm x 53.3cm x 20.1cm)



 Servers and airpots sold separately

- Adjustable legs and drip tray allows up to 7" (17.8cm) opening for 20oz cups
- Designed to be easily serviced from front and top of machine
- Improved automatic rinsing of whipper reduces run-on after beverage is dispensed
- Large easy-to-fill translucent hopper holds 8lb (3.6kg) of product, ensuring quick and timely refilling
- Lighted graphics merchandise drinks for maximizing profits
- Space saving narrow 8" (20.3cm) cabinet width
- Specially designed mixing system guarantees perfect beverages every time
- Variable speed motors allow control of product consistency in mixing chamber (.75 to 6.6 grams of powder per second)

Agency:



Specifications

Product #: SET00.0196
Water Access: Plumbed
Finish: Black
Hoppers: One
Door: Lit

Door: Side Hinge
Dispense: Push Button

Additional Features

Electrical & Capacity

Volts	Amps	Watts	Cord Attached	Plug Type	8oz cups/hr 236ml cups/hr	Input H ² O Temp.	Phase	# Wires plus Ground	Hertz
120	15	1800	Yes	NEMA 5-15P	67	60°F (15.5°C)	1	2	60

Plumbing Requirements

PSI	kPa	Fitting Supplied	Water Flow Required (GPM)
20-90	138-621	1/4" Male Flare Fitting	-

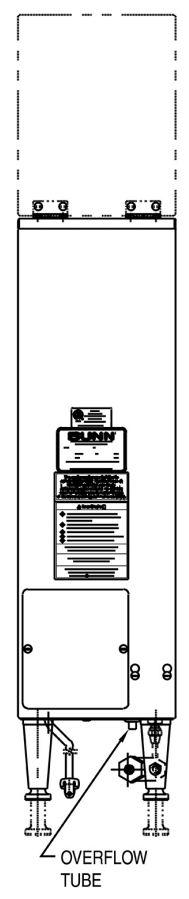
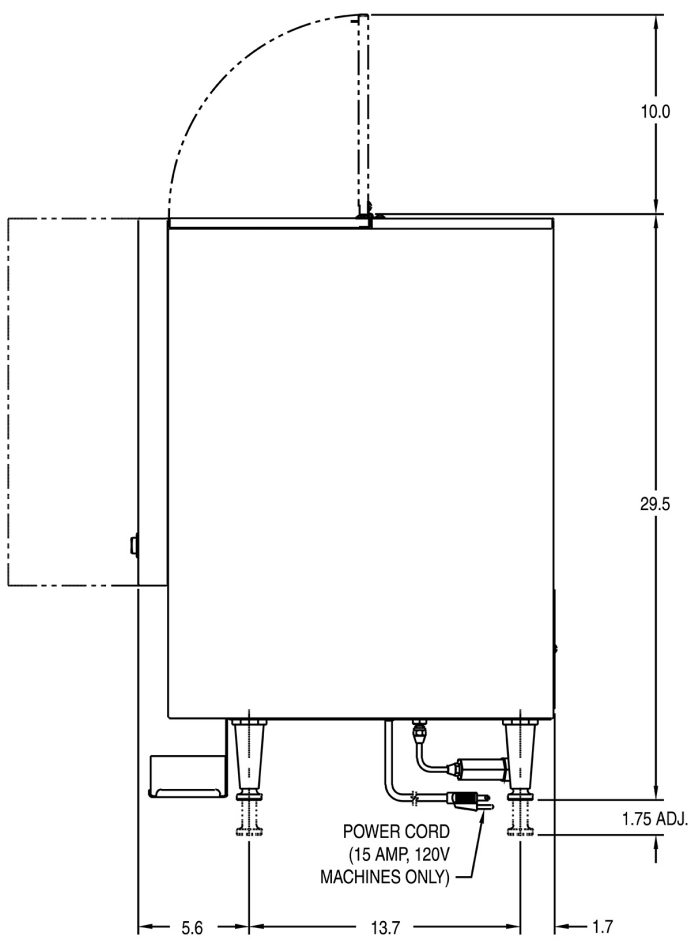
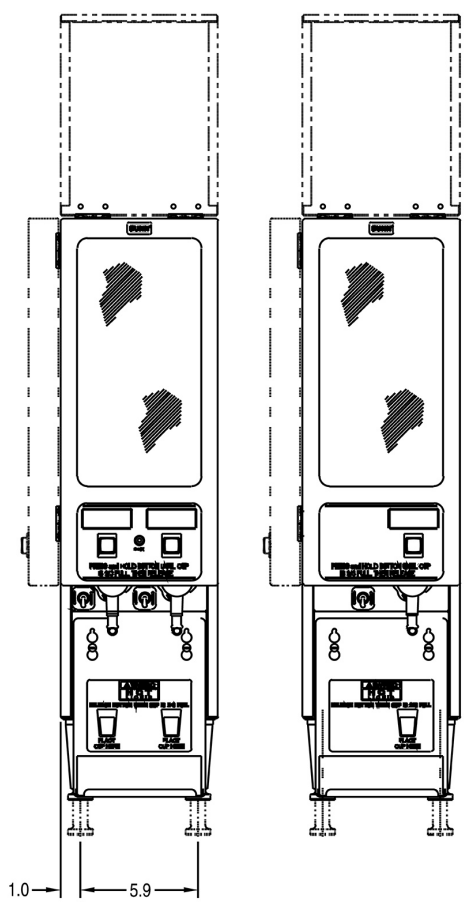
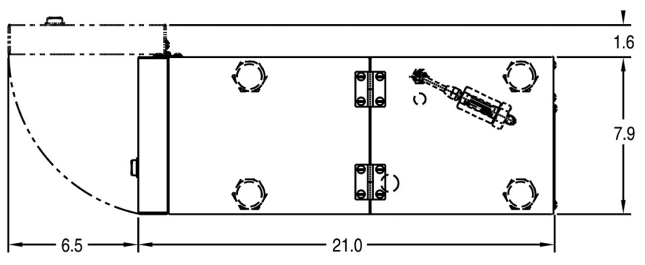
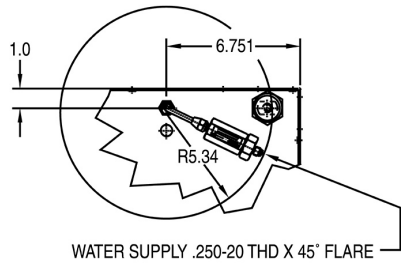
CAD Drawings

2D	Revit	KLC
●		



BUNN® reserves the right to change specifications and product design without notice. Such revisions do not entitle the buyer to corresponding changes, improvements, additions or replacements for previously purchased equipment. For most current specifications and other info visit bunn.com.

Created on:
05/02/2017



Unit			Shipping					
	Width	Height	Depth	Width	Height	Depth	Weight	Volume
English	7.9 in.	30.0 in.	21.0 in.	-	-	-	64.960 lbs	-
Metric	20.1 cm	76.2 cm	53.3 cm	-	-	-	29.466 kgs	-



BUNN® reserves the right to change specifications and product design without notice. Such revisions do not entitle the buyer to corresponding changes, improvements, additions or replacements for previously purchased equipment. For most current specifications and other info visit bunn.com.

Created on:
05/02/2017

Related Products & Accessories:FMD-1 Black(SET00.0196)



WATER FILTER,
EQHP-10L

Product #: 39000.0001



WATER FILTER,
EQHP-10

Product #: 39000.0004



BUNN® reserves the right to change specifications and product design without notice. Such revisions do not entitle the buyer to corresponding changes, improvements, additions or replacements for previously purchased equipment. For most current specifications and other info visit bunn.com.

Created on:
05/02/2017