



XR8-E

Electric Mini Rotating Rack Bakery Oven



XR8-E with 12 pan stand

Project _____

Item No. _____

Quantity _____

Standard depth baking compartment

Refer to operator manual specification chart for listed model names.

EXTERIOR CONSTRUCTION

- Fully welded angle iron frame
- Double pane tempered glass doors
- Semi-rigid mineral fiber insulation at top, back, sides and bottom
- Removable independent door design
- Control panel rotates out for easy access

INTERIOR CONSTRUCTION

- 304 stainless steel interior
- Rotating rack can be removed without tools
- Rack slide spacing can be adjusted without tools in any configuration using 1" increments.
- Four side mounted halogen lights for superior illumination

OPERATION

- Internal steamer system
- Holds 8 pans (18" x 26") based on 4" adjustable slide spacing
- Digital programmable controls
- Separate bake and steam times
- Cool-down mode
- Blower delay
- Two speed, 3/4 horsepower, convection motor with automatic thermal overload protection

STANDARD FEATURES

- 12 pan stand with adjustable spacing, removeable crumb trays and low profile casters
- Pre-plumbed water lines
- 120V grounded power cord
- 250V, 3 phase, 4-wire or 480V, 3 phase, 4-wire cord set
- Two year parts and one year labor oven warranty
- Five year limited oven door warranty*

** For all international markets, contact your local distributor.*

NOTE: The company reserves the right to make substitutions of components without prior notice

OPTIONS AND ACCESSORIES

(AT ADDITIONAL CHARGE)

- MenuSelect control can hold multi-stage programming for up to 99 products, includes Cook & Hold, core probe cooking and USB port
- Adjustable feet in place of casters
- Additional rack slides
- Wire rack for half-size pans

OPTIONS AND ACCESSORIES

(AT NO ADDITIONAL CHARGE)

- Ergonomic wide loading carousal assembly, for easier pan loading

XR8-E ROTATING RACK OVEN

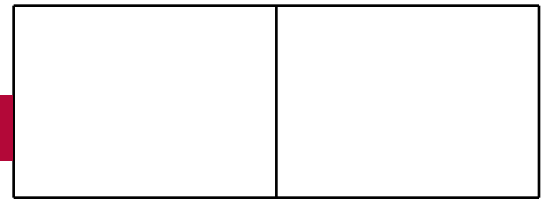


www.blodgett.com

42 Allen Martin Drive, Essex Junction, VT 05452
Phone: (802) 658-6600 | Fax: (802) 864-0183

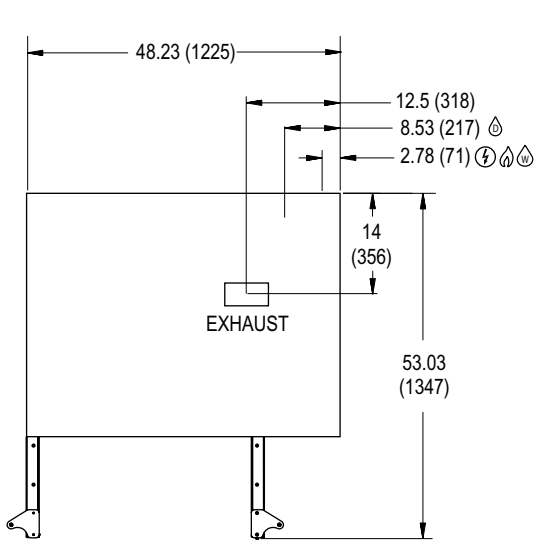


XR8-E ROTATING RACK OVEN

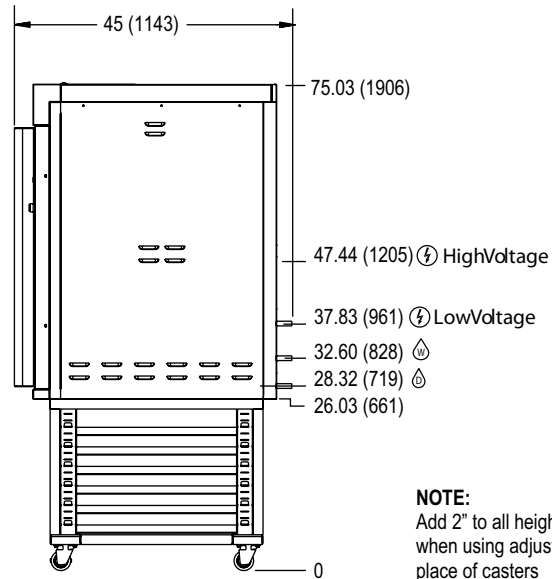


APPROVAL/STAMP

DIMENSIONS ARE IN INCHES (MM)



TOP VIEW



SIDE VIEW

NOTE:
Add 2" to all height dimensions when using adjustable legs in place of casters

SHORT FORM SPECIFICATIONS Provide Blodgett electric mini rotating rack bakery oven model XR8-E. Unit shall have a single compartment with fully welded angle iron frame, and 304 stainless steel interior. Unit shall accept eight 18" x 26" standard full-size bake pans and have rack slides with spacing that can be adjusted without tools in any configuration using 1" increments. Rotating rack shall be removable without tools. Unit shall have stainless steel front, top and sides. Doors shall be stainless steel, independent design with dual pane thermal glass windows. Unit shall have internal steamer system with pre-plumbed water lines. Unit shall be fitted with four side mounted, halogen lamps. Control panel shall be digital programmable controls, separate bake and steam times, cool-down mode, and blower delay. Manual cut-off switch on front panel. Two year oven parts and one year labor, five year door warranty. Provide options and accessories as indicated.

DIMENSIONS

Floor space 48.23" (1225 mm) W x 40.27" (1023 mm) D
Interior 32" (813 mm) W x 32" (813 mm) D

PRODUCT CLEARANCE

From combustible and non-combustible construction

0" from combustible and non-combustible construction
 12" from back, sides and top recommended for service

WATER SUPPLY

Good quality water feed is the responsibility of the owner. Water quality must be within the following guidelines.

TDS: 40-125 ppm	Chlorides: <25 ppm	pH: 7.0 - 8.5
Silica: <13 ppm	Chloramine: <0.2 ppm	
Hardness: 35-180 ppm	Chlorine: <0.2 ppm	

The best defense against poor water quality is a water treatment system designed to meet your water quality conditions. Blodgett offers optional water treatment systems

Pressure 40-75 psi. (276-517 kPa)
Pipe Size 3/4" GHT
Flow Rate 27 GPH (102 LPH)

Appliance is to be installed with backflow protection in accordance with Federal, State or Local codes.

DRAIN

XR8-E 3/4" NPT rear drain connection

MAXIMUM INPUT

18 kW

POWER SUPPLY

120VAC, 60 Hz, 1 phase, 15 amp maximum dedicated circuit and one of the following:

VAC	Hz	Phase	kW	Amps (L1-L2-L3)	Cord Set
208	60	3	18	52/52/50	15-60P / 4 AWG
240	60	3	18	45/45/43	15-60P / 4 AWG
480	60	3	18	23/23/23	L16-30P / 8 AWG

MINIMUM ENTRY CLEARANCE

Uncrated* 45" (1143 mm)
Crated 49.25" (1251mm)

* Unit measures 34" (864) deep with the doors, control panel, and back panel removed.

SHIPPING INFORMATION

Approx. Weight

Oven 950 lbs. (431 kg)
 Stand 175 lbs. (79 kg)

Crate Sizes

Oven 54.25" (1378mm) W x 49.5" (1251mm) D x 65.5" (1664mm) H
 Stand 54" (1371mm) W x 34" (864mm) D x 28" (711mm) H