

BROMIC[®]

HEATING

PLATINUM SMART-HEAT™ ELECTRIC HEATERS BY BROMIC

LOW CLEARANCE (LC) CEILING RECESS INSTALLATION INSTRUCTIONS

FOR MODELS 3400W & 2300W

WARNING

This heater **MUST** be permanently installed by an authorised/licenced person. Do not perform maintenance, or carry out installation or assembly procedure while electrical power is switched on. Wait 2 hours after switching off the heater before handling.

WARNING

Joists, beams and rafters shall not be cut or notched to install the heater.

WARNING

Instructions below are suitable for ceiling surfaces 10-30mm (0.39"-1.2") thick. For ceiling surfaces thicker than 30mm (1.2"), contact Bromic for alternative installation options.

WARNING

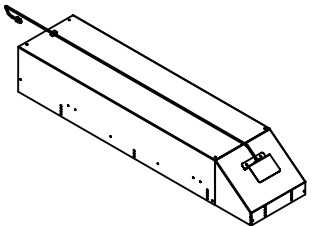
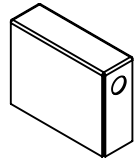
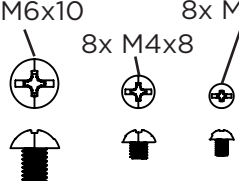
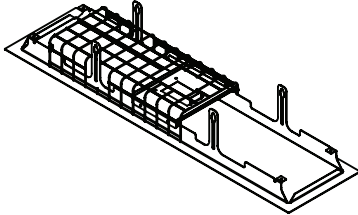
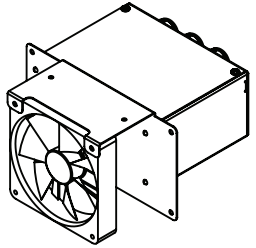
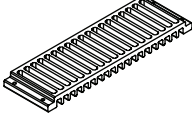
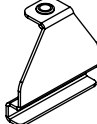
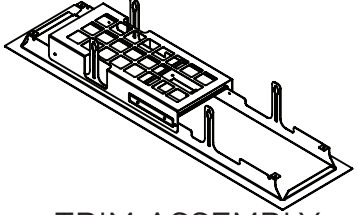
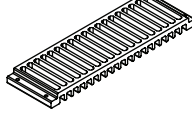
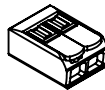
The heater shall, under no circumstance, be covered with insulating material or similar material.

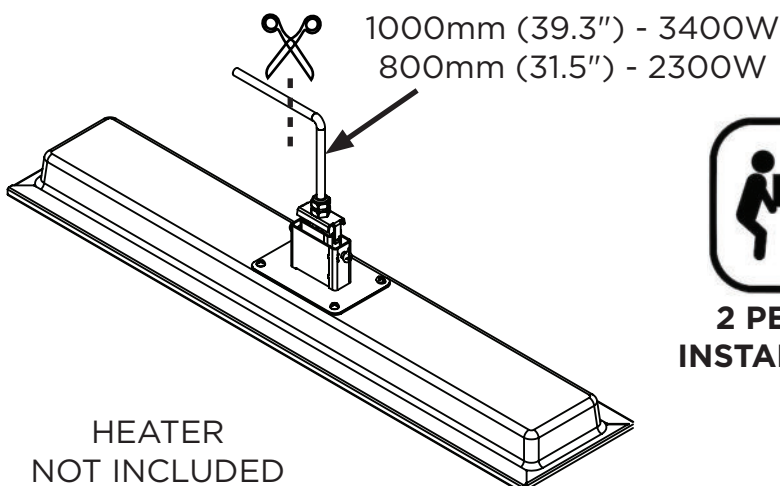
WARNING

It is important that regular maintenance is carried out on the heater to maintain appearance. Inspect and clean more frequently in adverse conditions such as coastal environments.

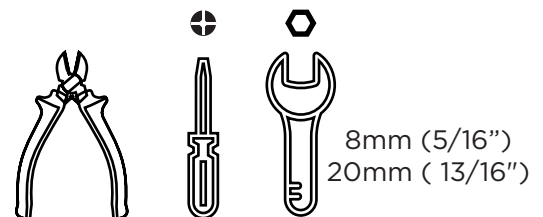
WARNING

In ceiling recess installation, the heater must be completely protected against water contact from above.

 1x CEILING RECESS BOX	 1x IP COVER	 HARDWARE	 1x TRIM ASSEMBLY (STANDARD)
 1x TERMINAL BOX	 2x VENT COVER BLACK	 4x VENT COVER TRIMS	OR  1x TRIM ASSEMBLY (MARINE)
 2x VENT COVER WHITE	 1x N2 WAGO CONNECTOR		



**2 PERSON
INSTALLATION**



TOOLS REQUIRED

IMPORTANT

READ THIS MANUAL CAREFULLY. SEE INSIDE COVER FOR IMPORTANT INFORMATION ABOUT THIS MANUAL. KEEP INSTRUCTIONS WITH APPLIANCE FOR FUTURE REFERENCE.

This manual contains important information about the installation, operation, and maintenance of the Low Clearance Ceiling Recess Kit for the Platinum Smart-Heat Electric Heaters. Please pay close attention to the important safety information shown throughout this instruction manual.

Any safety information will be accompanied by the following safety alert symbols:

 DANGER,  WARNING,  IMPORTANT

- Read this manual carefully before installing or servicing this product.
- Improper installation, operation, or maintenance can result in death, severe injury, or property damage.
- This appliance is intended for fixed installation with voltage as specified on the power rating label.
- Installation **MUST** be carried out by a licensed and authorised technician in accordance with local electrical codes.
- The Platinum Smart-Heat™ Electric Heater is intended for domestic and commercial use, unless otherwise specified.
- **The marine grade versions of the LC Ceiling Recess Kit shall be installed for land and coastal environment application ONLY.**
- **The IPX5 marine grade version of the LC Ceiling Recess Kit shall NOT be installed on marine craft.**

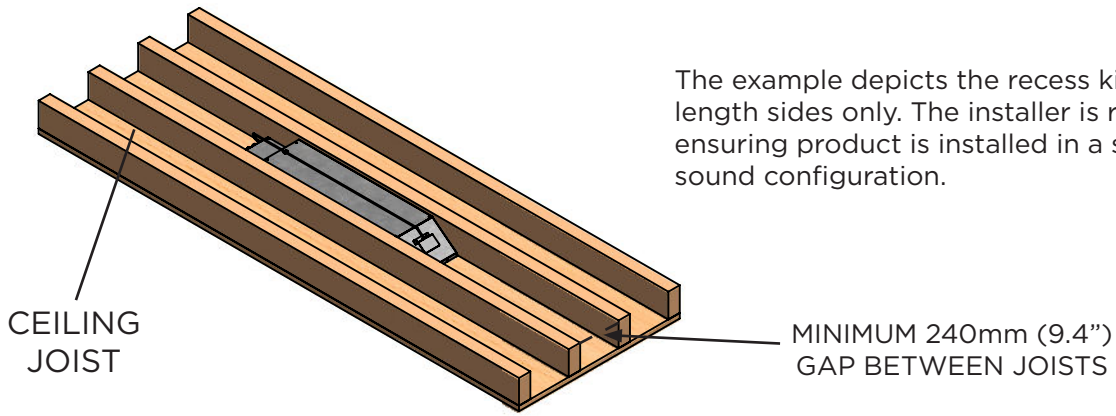
SAVE THESE INSTRUCTIONS

SPECIFICATIONS									
Model		LC Ceiling Recess Kit				LC Ceiling Recess Kit Marine			
Part No.	US/EU	BH3623009		BH3623008		BH3623011		BH3623010	
	AU	2623009		2623008		2623011		2623010	
Total Output - Kit + Heater		2300W		3400W		2300W		3400W	
Power connection required (volts/amps)		208V - A.C - 60HZ - 11.1A	220-240 - A.C - 50/60Hz - 9.6A	208V - A.C - 60Hz - 16.3A	220-240 - A.C. - 50/60Hz - 14.2A	208V - A.C - 60HZ - 11.1A	220-240 - A.C. - 50/60Hz - 9.6A	208V - A.C - 60Hz - 16.3A	220-240 - A.C. - 50/60Hz - 14.2A
Overall Dimensions (L x W x H)		1039 x 261 x 175 mm (40.9 x 10.3 x 6.9 ")		1475 x 261 x 175 mm (40.9 x 10.3 x 6.9 ")		1039 x 261 x 175 mm (40.9 x 10.3 x 6.9 ")		1475 x 261 x 175 mm (40.9 x 10.3 x 6.9 ")	
Weight		11kg (24.3lb)		14kg (31lb)		11kg (24.3lb)		14kg (31lb)	
Finish		Brushed Stainless Steel 304				Brushed Stainless Steel 316			
Approval		ETL: Intertek 5001799, CB/CE-LVD: Intertek 200802166SHA-001/002, SAA: Intertek 200802166SHA-001 PATENT PENDING							

Head Office: 10 Phiney Place, Ingleburn, NSW 2565 Australia
 Telephone: 1300 276 642 (within Australia) or +61 2 9748 3900 (from overseas) Fax: +61 2 9748 4289
 Email: info@bromic.com Web: www.bromic.com

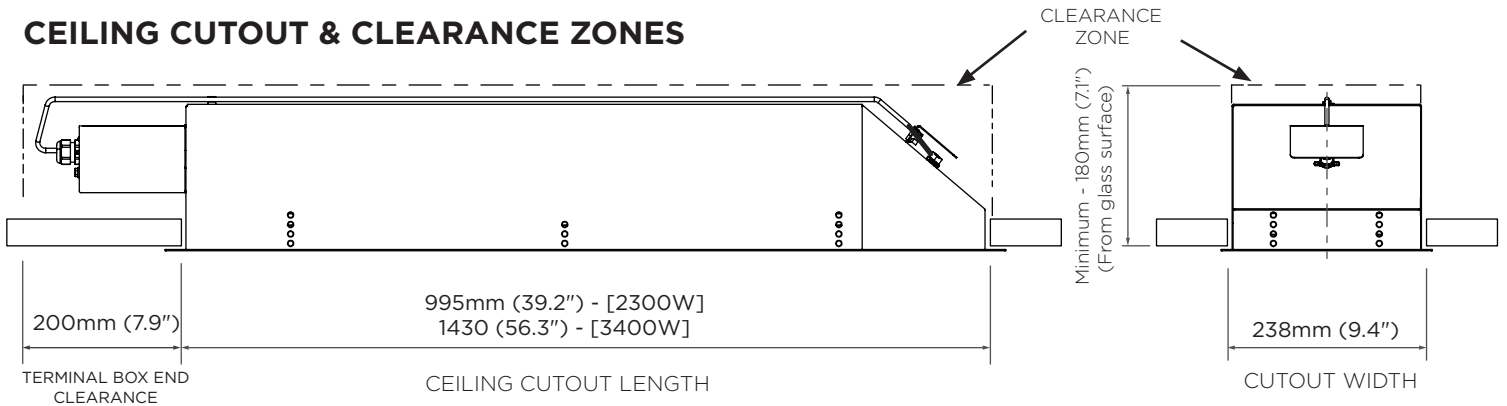
Note: Bromic Pty Ltd reserves the right to make changes to specifications, parts, components and equipment without prior notification. This installation, operation and service manual may not be reproduced in any form without prior written consent from Bromic Pty Ltd.

ISOMETRIC VIEW DEPICTING LOW CLEARANCE RECESS KIT INSTALLATION SETUP OPTIONS

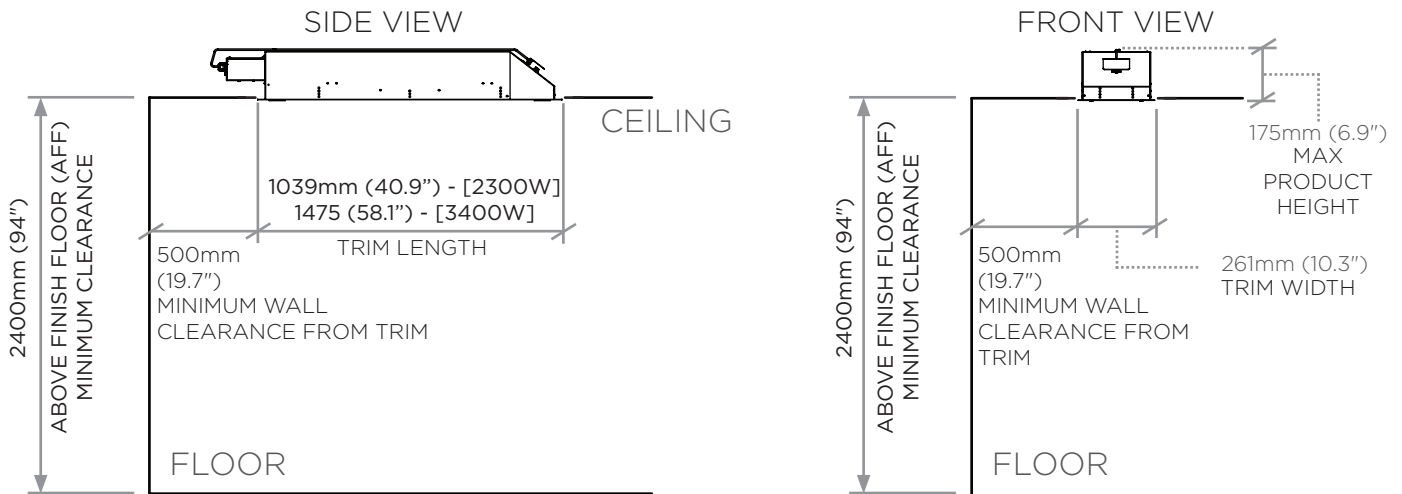


The example depicts the recess kit fixed on the length sides only. The installer is responsible for ensuring product is installed in a structurally sound configuration.

CEILING CUTOUT & CLEARANCE ZONES



ROOM CLEARANCE AND OVERALL DIMENSIONS



⚠ WARNING

The appliance shall, under no circumstances, be covered with insulating material or similar material.

Minimum vertical ceiling space clearance between the ceiling recess box and ceiling surface must be 180mm (7.1").

Minimum clearance measured from the terminal box end to the nearest surface must be 200mm (7.9").

Minimum clearance from the ceiling cutout and the nearest wall must be 500mm (19.7").

Minimum distance between heaters measured from edge of ceiling cut out must be 500mm (19.7") with exception for Australia/New Zealand minimum 2000mm (78.7")*.

Minimum distance between the heater surface and finished floor is 2400mm (94").

***Note:**
Under AS/NZ 60335.2.30:2015 clause 7.12.1 specifies the distance between the sides of the heater and the sides and any adjacent ceiling recessed heater shall not be less than four times the minimum distance specified for the distance between the sides of the heater and any building element adjacent to it.

Standard Versions

Ensure that the heating unit is not directly exposed to rain or water contact. For the longest product life and to maintain product appearance, mount the heater under cover and protect from rain and weather.

Marine Versions

In a salt-air environment, such as near an ocean, corrosion occurs more quickly than normal. Stainless 316 has been used in the Marine configuration. Salt spray should be cleaned from the heater and recess kit immediately - while the heater and recess kit should undergo cleaning fortnightly to ensure maximum longevity. Use a qualified technician to check yearly for corroded areas and remove from service when heater safety is compromised.

INSTRUCTIONS START HERE

1. Prepare ceiling cut-out with the dimensions :

3400W - 1430mm x 240mm (56.3" X 9.45")
2300W - 1000mm x 240mm (39.4" X 9.45")

Heater must be installed with heater surface at least 2400mm (94") above the finished floor (AFF), with minimum clearance measured from the terminal box end to the nearest surface being 200mm (7.9"). Minimum heater to heater distance measured from edge of heater must be 500mm (19.7"). Refer to the install dimensions on page 3.

2. Fasten the ceiling recess box into ceiling with 6x (minimum) appropriate fasteners (not supplied) along the long edge.

NOTE: The fastening screws must be inserted into a strong material that can easily support the weight of the assembly. Your installation may require re-enforcing before the frame can be safely installed.

IMPORTANT

It is the installers responsibility to ensure that the installation site is structurally suitable for the mass of the heater installation being 18.5kg (41 lb) [2300W] or 24kg (53 lb) [3400W].

MINIMUM 12 FASTENERS TO BE USED FOR TIMBER MEMBERS.

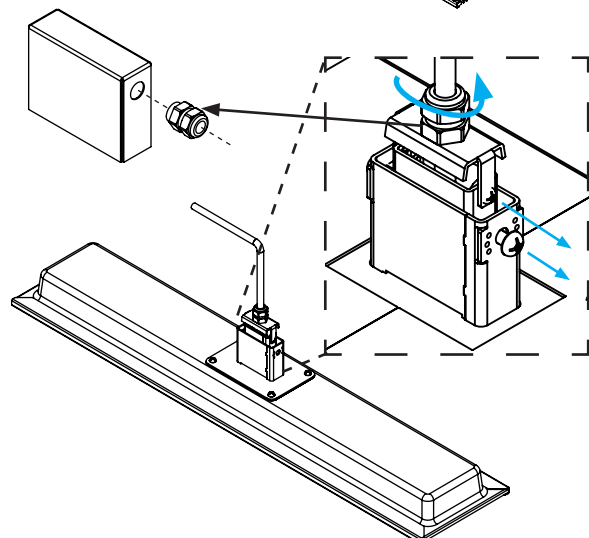
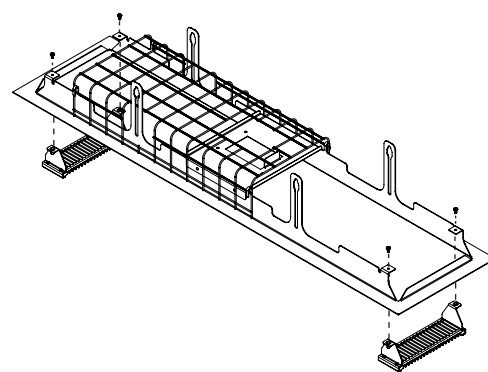
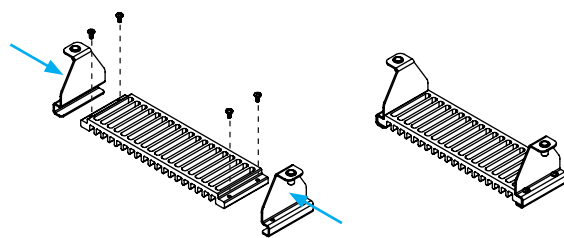
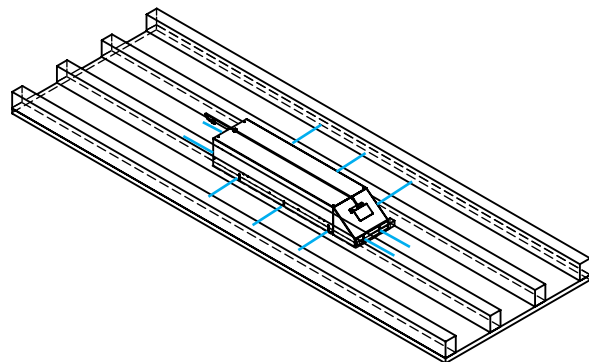
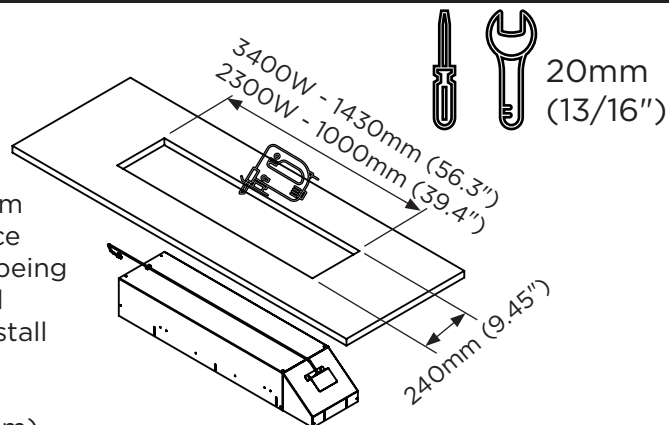
3. Assemble 2x vent covers together using the vent cover trims and 4x **M3x6mm** screws. The colour of the vent covers are to match the heater.

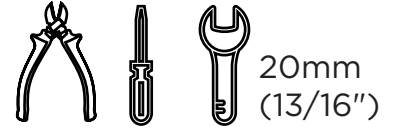
4. Install the assembled vent covers to the end of trim assembly using 4x **M4x8mm** screws.

5. Remove the 2x **M6x14mm** and 2x **M4x8mm** screws on the rear bracket of the heater. Remove the swivel bracket on the heater rear. Loosen the **M16** cable gland using a 20mm (13/16") spanner and install the removed cable gland onto the IP cover.

ENSURE THE CABLE GLAND NUT IS REINSTALLED ON THE INNER SURFACE OF THE IP COVER.

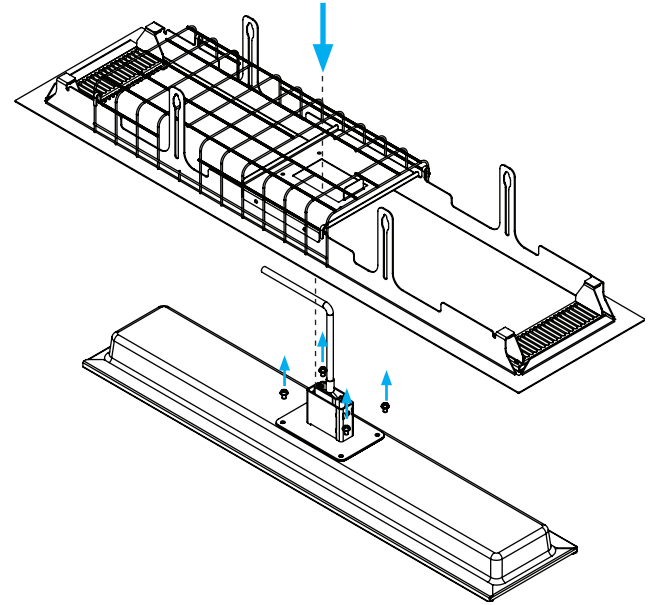
NOTE: During this process the strain relief device has been removed - Care must be taken to not apply significant load to the cable as this could stress the internal cable crimps and permanently damage the heater.





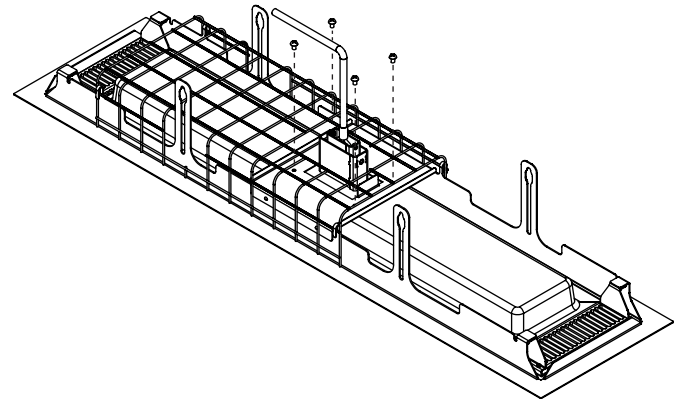
6. Carefully remove the 4x **M5x10mm** screws at the rear of the heater and align the heater trim assembly with the mounting holes.

The cable is fed through the opening in the centre of the trim assembly.

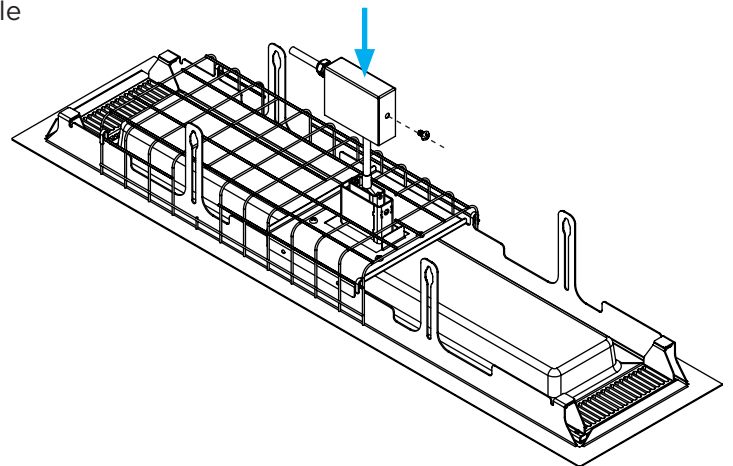


NOTE: REAR HEATER BRACKET IS **NOT TO BE REMOVED**.

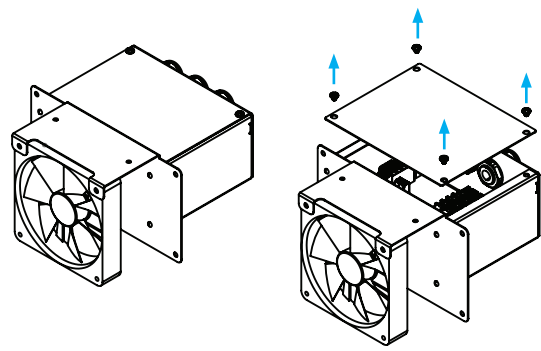
7. Re-install the 4x **M5x10mm** screws to attach the heater to the trim assembly.



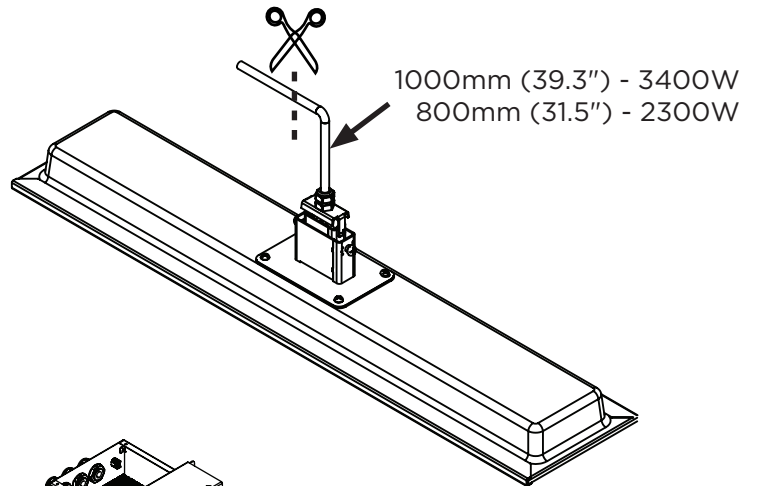
8. Feed the heater cable through the IP cover and cable gland. Attach the IP bracket to the heater using the **M6x10mm** screw. When in location, ensure the **M16** cable gland is fastened using a 20mm (13/16") spanner.



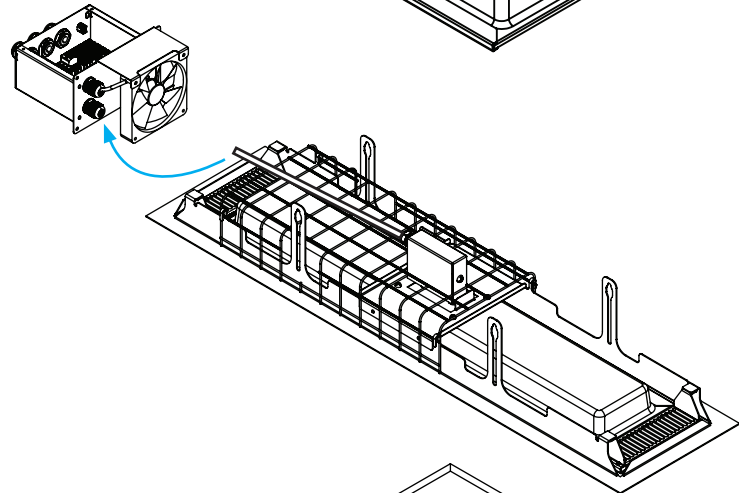
9. Remove the lid of the terminal box by removing the 4x **M4x8mm** screws and set aside for re-assembly.



10. Cut down the heater cable no shorter than 1000mm (39.3") for the 3400W unit, or 800mm (31.5") for the 2300W unit measured from the cable gland.

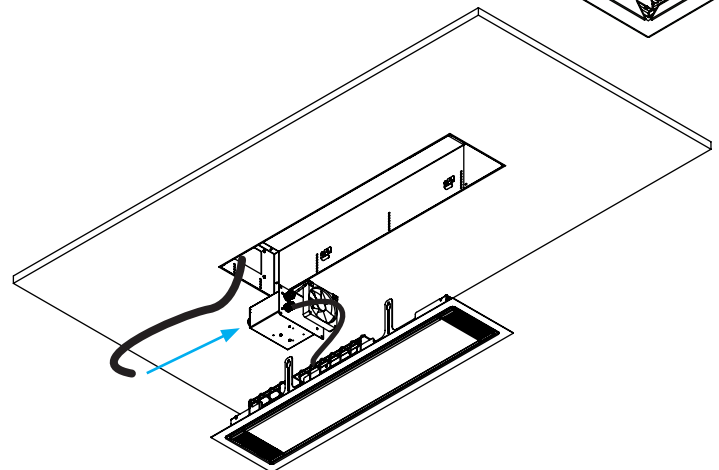


11. Feed the heater cable through the lower **M16** cable gland located on the terminal box. Ensure that the cable gland is tightened.



12. Feed the mains (and control cables if applicable) through the terminal box cut-out in the heater box.

Refer to the wiring diagram diagrams on the next page



For installs using a Bronic Dimmer (sold separately) OR On/Off Controller (sold separately), please refer to the electrical diagram on page 11.

For installs using a manual wall switch (not supplied), please refer to the electrical diagram on page 12.

Comprehensive electrical diagrams can be found on page 14.

13. Once all connections have been made, use the supplied 4x **M4x8mm** screws to close the terminal box.

MIN 2 PEOPLE REQUIRED FOR FOLLOWING STEPS.



MAX SAFE LIFTING 16 kg (26.5 lbs) PER PERSON.

14. Bring the heater and terminal box up onto stable work platform closer to the terminal box cut-out end.



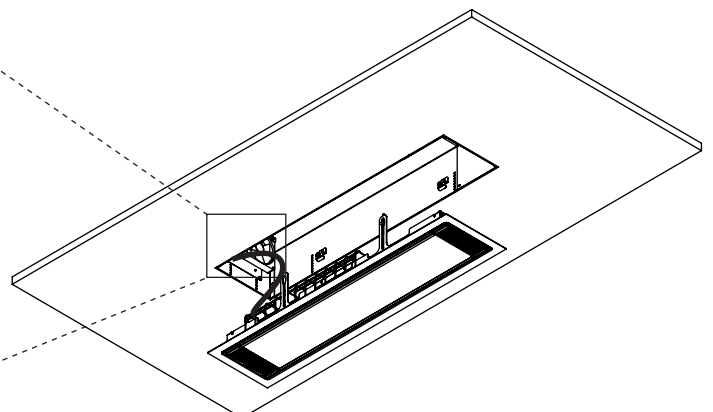
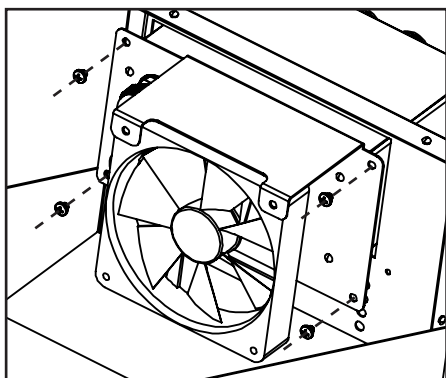
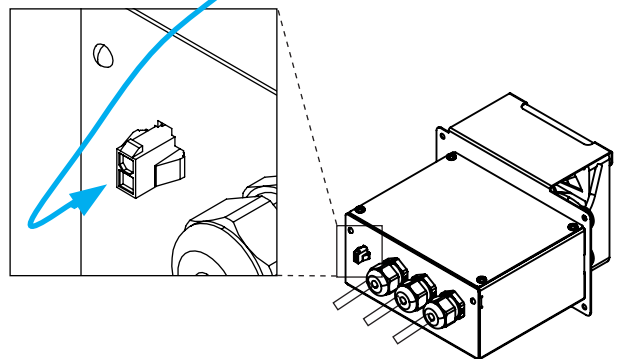
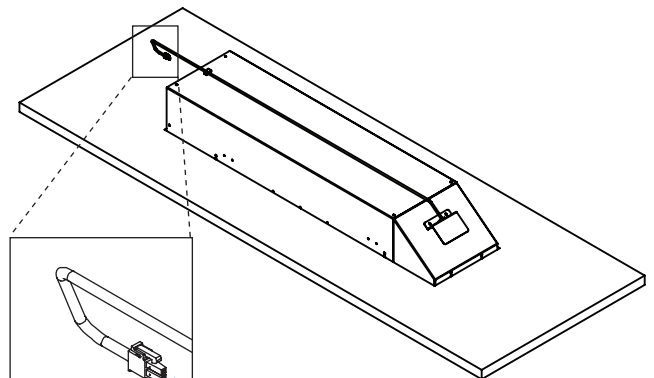
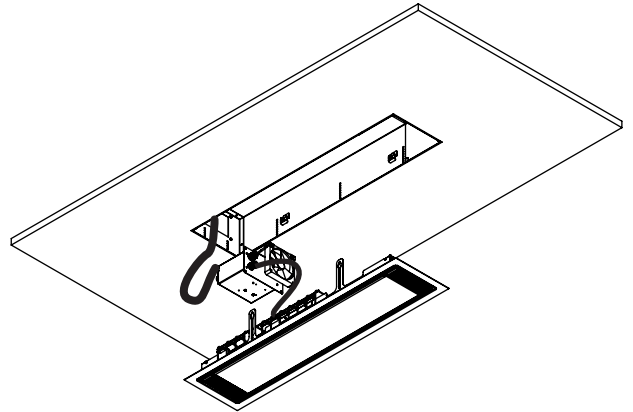
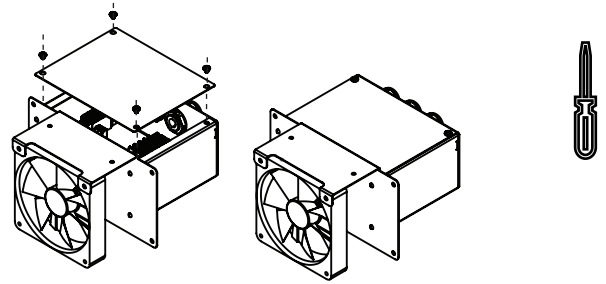
IMPORTANT
ENSURE THE FRONT GLASS OF THE HEATER IS PROTECTED BEFORE PLACING ON TOP.

15. Before installing the terminal box - retrieve the thermal cut-off switch cable. Plug it into thermal cut-off switch receptacle at the rear of the terminal box.



WARNING
Heater will not function unless the thermal cut-off switch plug is inserted into receptacle on rear of terminal box.

16. Fasten the terminal box into the ceiling recess box using 4x **M4x8mm** screws.



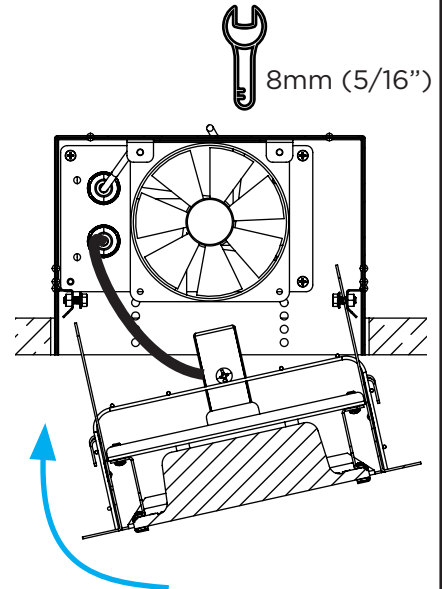
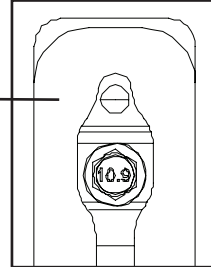
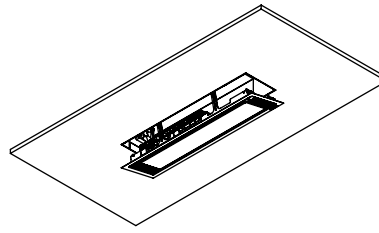
CEILING RECESS INSTALLATION INSTRUCTIONS CONTINUED ...

17. Attach the trim assembly to the ceiling recess box by hooking on one side of the mounting tab features to 2x **M5x12mm** hex flange bolts.

Ensure heater cable placement is on the inside of the mounting hooks.

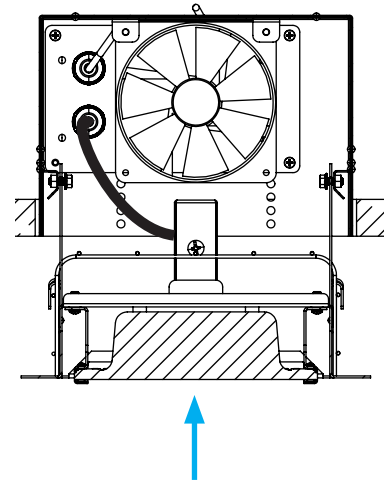
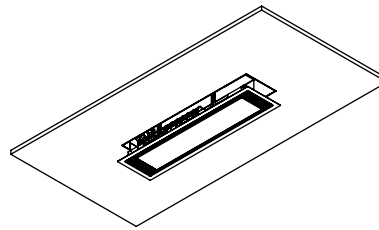
! **IMPORTANT**
Ensure heater cable placement is on the inside of the mounting hooks.

Mounting tab feature



18. Rotate the trim assembly and attach the other side of the mounting tabs to the other 2x **M5x12mm** hex flange bolts.

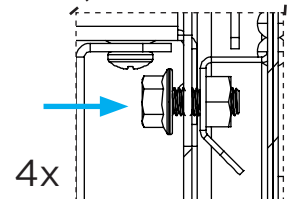
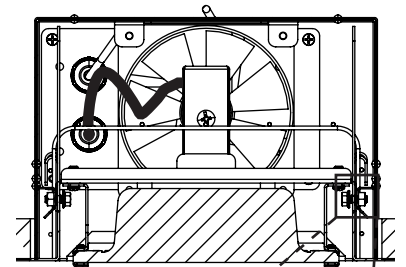
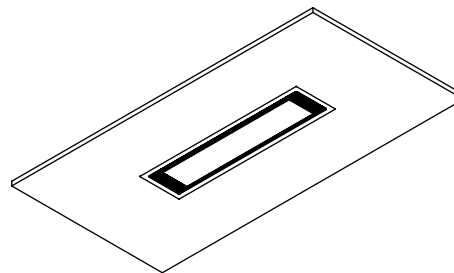
! **WARNING**
The heater supply cable **MUST** completely rest on the support structure. The supply cable **MUST NOT** be touching the rear surface of the heater.



19. Raise up the heater trim assembly so it is flush with the ceiling.

Tighten the 4x **M5x12mm** hex flange bolts using a 8mm (5/16") spanner to secure the heater in place.

Check heater alignment is flush with the ceiling before tightening the screws.



ELECTRICAL INSTALLATION

1. Check product label for correct voltage and wattage to ensure sure power source conforms to the heaters requirements.
2. The power cable must positioned away from & protected from the enclosure of the heater.
3. Make all connections in accordance with local electrical code regulations. For outdoor installation, all connections must be made in accordance with local electrical code regulations for outdoor wiring. Only use wiring components approved for outdoor use with minimum IPX5 rating.



WARNING

This heater **MUST** be permanently installed by an authorised/licenced person. Do not perform maintenance, or carry out installation or assembly procedure while electrical power is switched on. To disconnect heater, turn off power to heater circuit at main disconnect panel .



WARNING

ELECTRICAL SHOCK HAZARD! Serious injury or death may occur. Disconnect from electrical supply before installing or servicing this heater. Read and follow installation clearance requirements outlined in this manual. The appliance **MUST** be connected to a properly grounded electrical source.

For wiring instructions using Bromic Platinum Smart-Heat Electric Wireless Dimmer BH3130011-1 or ON/OFF Control BH3130010-1 refer to instructions provided with controller.

IMPORTANT: Electronic dimmer controls generate heat during operation. For Bromic heaters installed Bromic SmartHeat Electric Wireless Dimmer BH3130011-1 or ON/OFF Control BH3130010-1 it is essential to ensure dimmers are mounted in a clean, dry and well ventilated position with clearance on all sides. It must be ensured the dimmers are not installed in a confined space, close to other heat generating appliances or in the case of a multi-dimmer installation, not too close together. Dimmers must remain cool at all times. Please consult Bromic dimmer installation instructions for further details or for further questions please contact Bromic technical support services.

SERVICING



WARNING

ELECTRICAL SHOCK HAZARD! Serious injury or death may occur. Disconnect from electrical supply before servicing this heater.



WARNING

Servicing and maintenance **MUST** be carried out by an authorised and licenced service person only. Do not operate any heater after it malfunctions. Disconnect power at service panel and have heater inspected by a reputable electrician before reusing.



WARNING

If the supply cord is damaged, it must be replaced by Bromic, a service agent of Bromic or similarly qualified persons in order to avoid a hazard. Contact Bromic for further information on replacement of the supply cord.

MAINTENANCE

Ensure that the heating unit is not directly exposed to rain or water contact. For longest product life, and to maintain product appearance, mount heater under cover and protect from rain and weather whenever possible.

The exterior housing of the heater should be cleaned fortnightly. To clean the appliance; ensure heater is off, and has been off for at least 2 hours after operation, before wiping off any dirt/dust with a soft damp cloth.

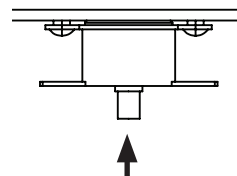
Salt in the air can cause rusting of metal, especially in coastal environment. Additional cleaning of the heater with a soft damp cloth fortnightly will aid in maintaining the product's appearance.

TROUBLESHOOTING

SYMPTOM	POSSIBLE CAUSE(S)	CORRECTIVE ACTION
No heat	<ol style="list-style-type: none"> 1. Improper Connection 2. Self resetting thermal switch not plugged in 3. Non-self resetting thermal switch has triggered. 	<ol style="list-style-type: none"> 1. Check connection to power supply 2. Check self resetting thermal switch is plugged in (see step 14). 3. Reset Non-self resetting thermal switch located inside terminal box (see electrical diagram).
Not enough heat	<ol style="list-style-type: none"> 1. Heater too small for application 2. Heater mounted too high or too far 3. Incorrect voltage connected to heater. 	<ol style="list-style-type: none"> 1. Add additional heater(s) 2. Decrease mounting height or distance. 3. Check correct supply voltage and current is provided
Too much heat	<ol style="list-style-type: none"> 1. Heater too large for application 2. Heater mounted too low or too close 3. Incorrect voltage connected to heater 	<ol style="list-style-type: none"> 1. Replace with smaller heater 2. Increase mounting height or distance 3. Check correct supply voltage is provided.

Non-self resetting thermal switch

In the event that the temperatures exceed safe operating limits, the non-self resetting thermal switch will trigger. This may be due to the fan being damaged or the heater is operating at a high ambient temperature. To reset the switch, push down on the reset button at the middle of the switch. THE LOCATION IS SHOWN ON PAGE 10,

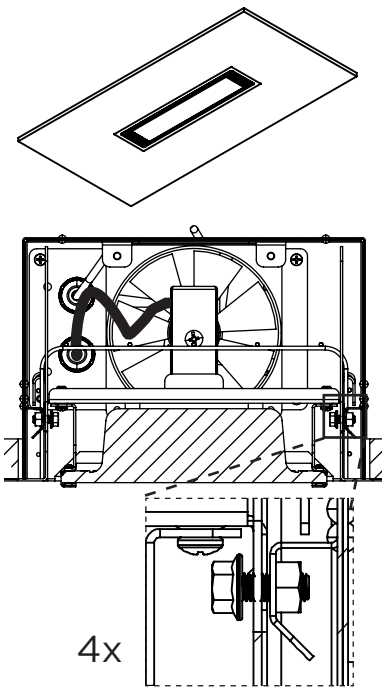


WARNING

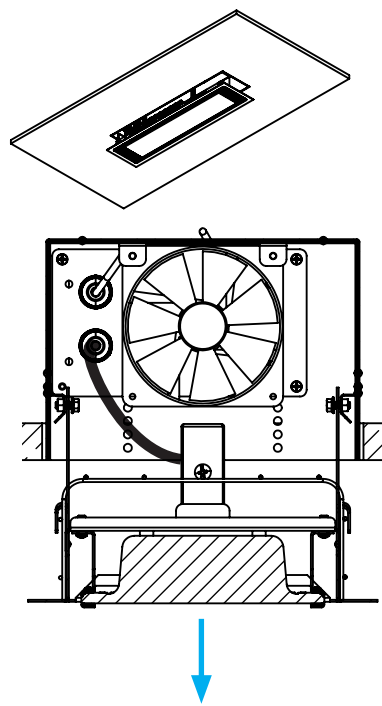
Ensure circuit is not live before attempting to reset the safety switch.

QUICK GUIDE FOR ACCESSING TERMINAL BOX

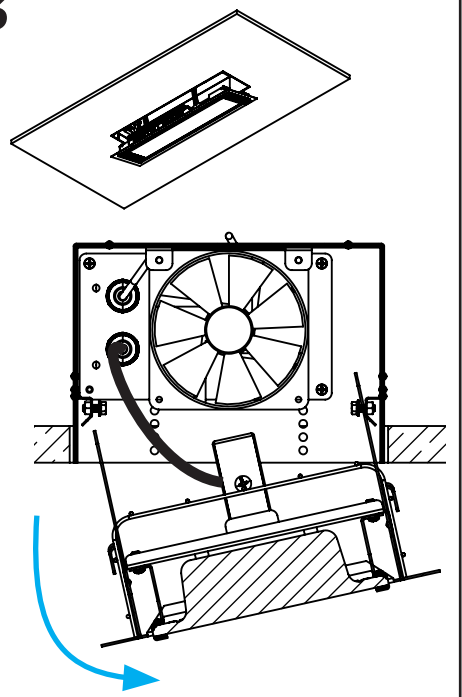
1



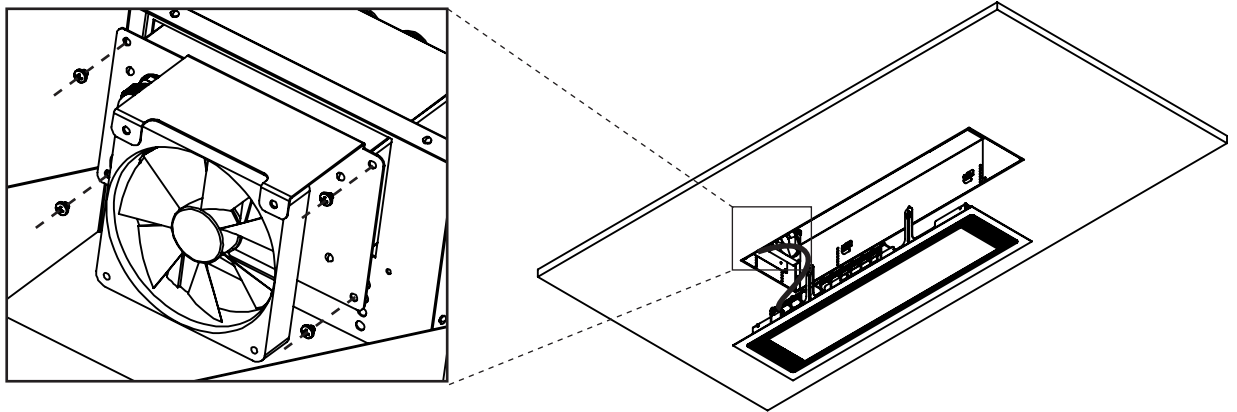
2



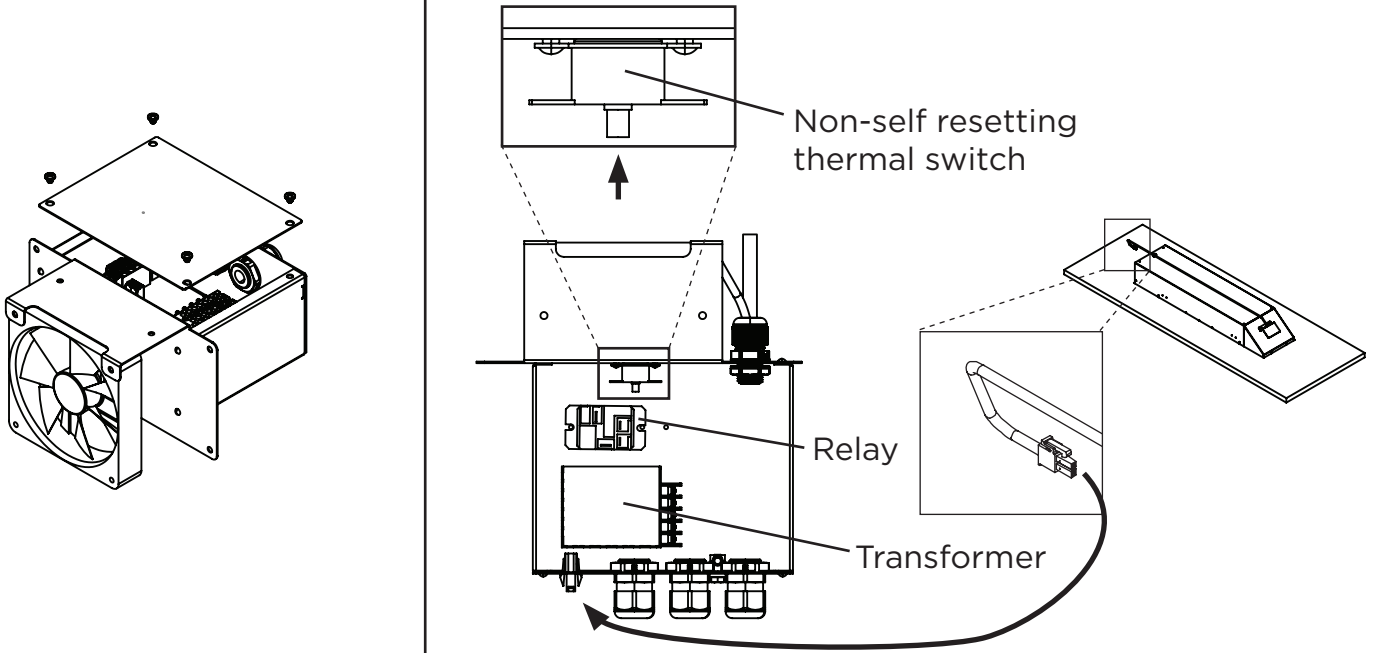
3



4



5

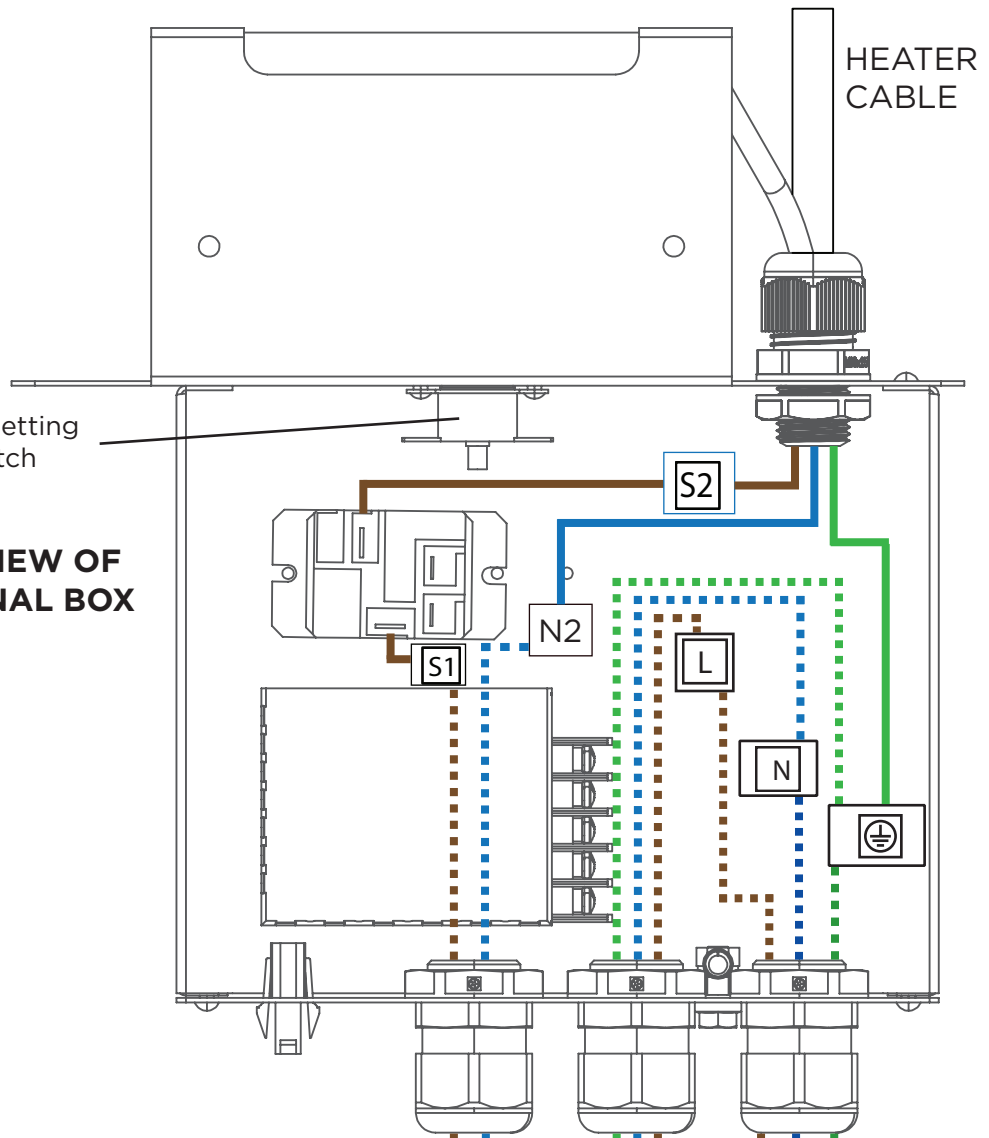
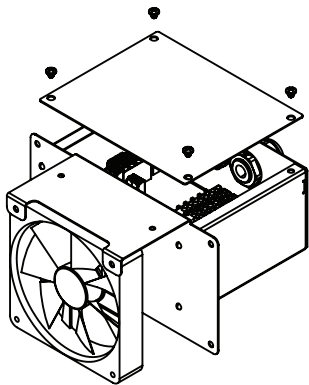


REFER TO WIRING DIAGRAMS ON PAGE 14.

IF THE PRODUCT IS STILL NOT WORKING CONTACT BROMIC FOR ADDITIONAL TECHNICAL SUPPORT.

WIRING DIAGRAM FOR LOW CLEARANCE CEILING RECESS KIT (FOR USE WITH DIMMER OR ON/OFF)

BELOW IS A SIMPLIFIED DIAGRAM OF THE TERMINAL BOX. ALL CONNECTIONS ADJUSTED BY THE INSTALLER ARE DISPLAYED. ITEMS NOT DISPLAYED SHALL NOT BE MODIFIED.



Non-self resetting thermal switch



TOP VIEW OF TERMINAL BOX

WARNING

AC Single Phase Heater must be permanently installed and hard wired by an authorised/licensed person.

This product is designed for use with both 220-240V & 208V Platinum Electric Heaters.

**To Dimmer Power (Load) Output
OR ON/OFF Power (Load) Output**

**To Dimmer Power Supply Input
OR ON/OFF Power Supply Input**

WIRES DENOTED BY DASHED LINES ARE SUPPLIED BY THE INSTALLER.

SUPPLY

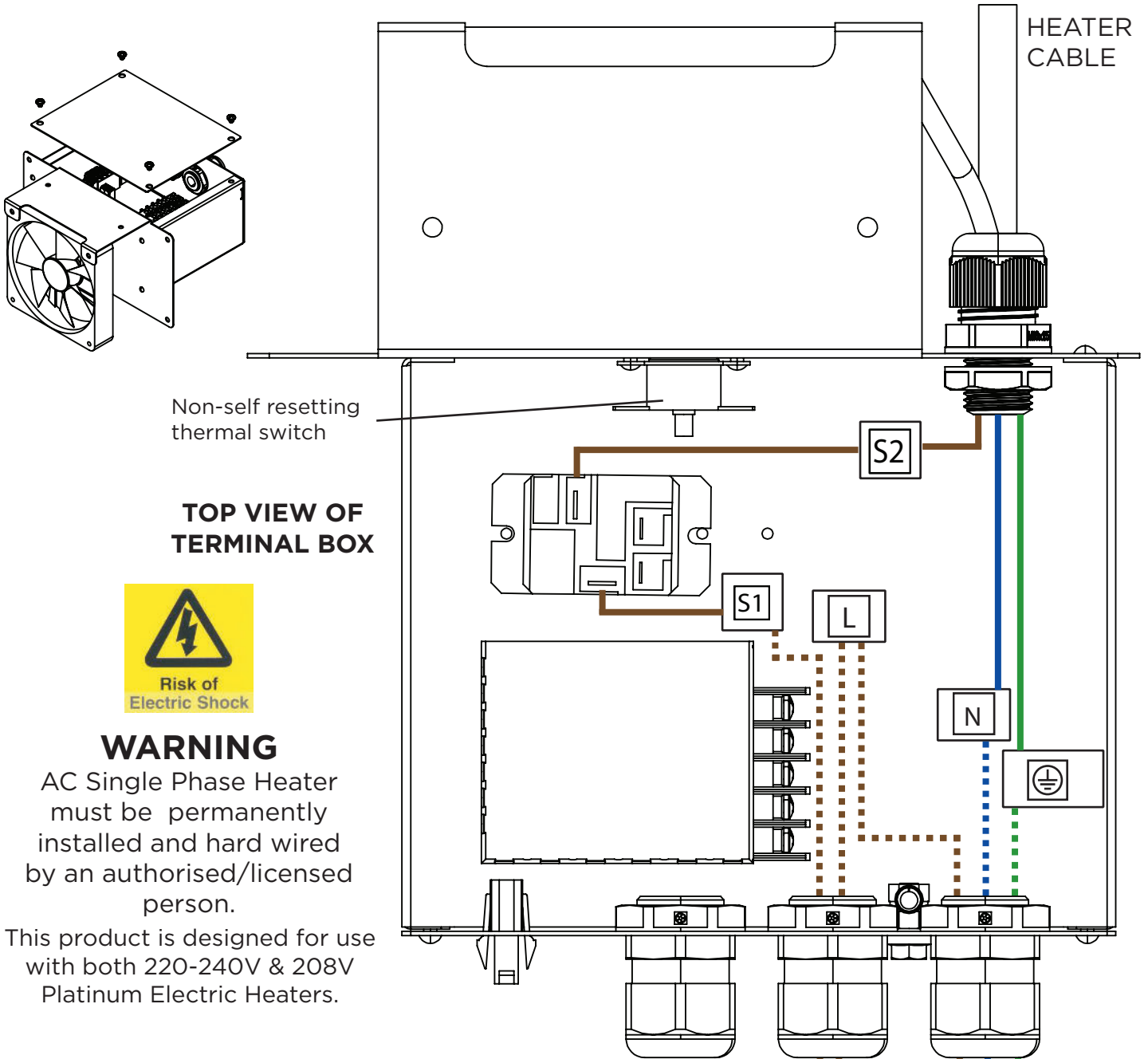
	BROWN LIVE/ACTIVE	BLUE NEUTRAL	GREEN/YELLOW EARTH
OR	HOT LEG 1	HOT LEG 2	
OR	PHASE A	PHASE B	
OR	PHASE B	PHASE C	
OR	PHASE C	PHASE A	

NOTES:

- For wiring instructions using Bromic SmartHeat Electric Wireless Dimmer BH3130011-1 or ON/OFF Controller BH3130010-1 refer to the instructions provided with the controller.
- Connecting to a 3-phase power system can only be done for 208V versions of the Platinum Electric Heater.

WIRING DIAGRAM FOR LOW CLEARANCE CEILING RECESS KIT (FOR USE WITH WALL SWITCH)

BELOW IS A SIMPLIFIED DIAGRAM OF THE TERMINAL BOX.
ALL CONNECTIONS ADJUSTED BY THE INSTALLER ARE DISPLAYED.
ITEMS NOT DISPLAYED SHALL NOT BE MODIFIED.



Non-self resetting thermal switch

TOP VIEW OF TERMINAL BOX



WARNING

AC Single Phase Heater must be permanently installed and hard wired by an authorised/licensed person.

This product is designed for use with both 220-240V & 208V Platinum Electric Heaters.

WALL SWITCH SUPPLIED BY CUSTOMER

WIRES DENOTED BY DASHED LINES ARE SUPPLIED BY THE INSTALLER.

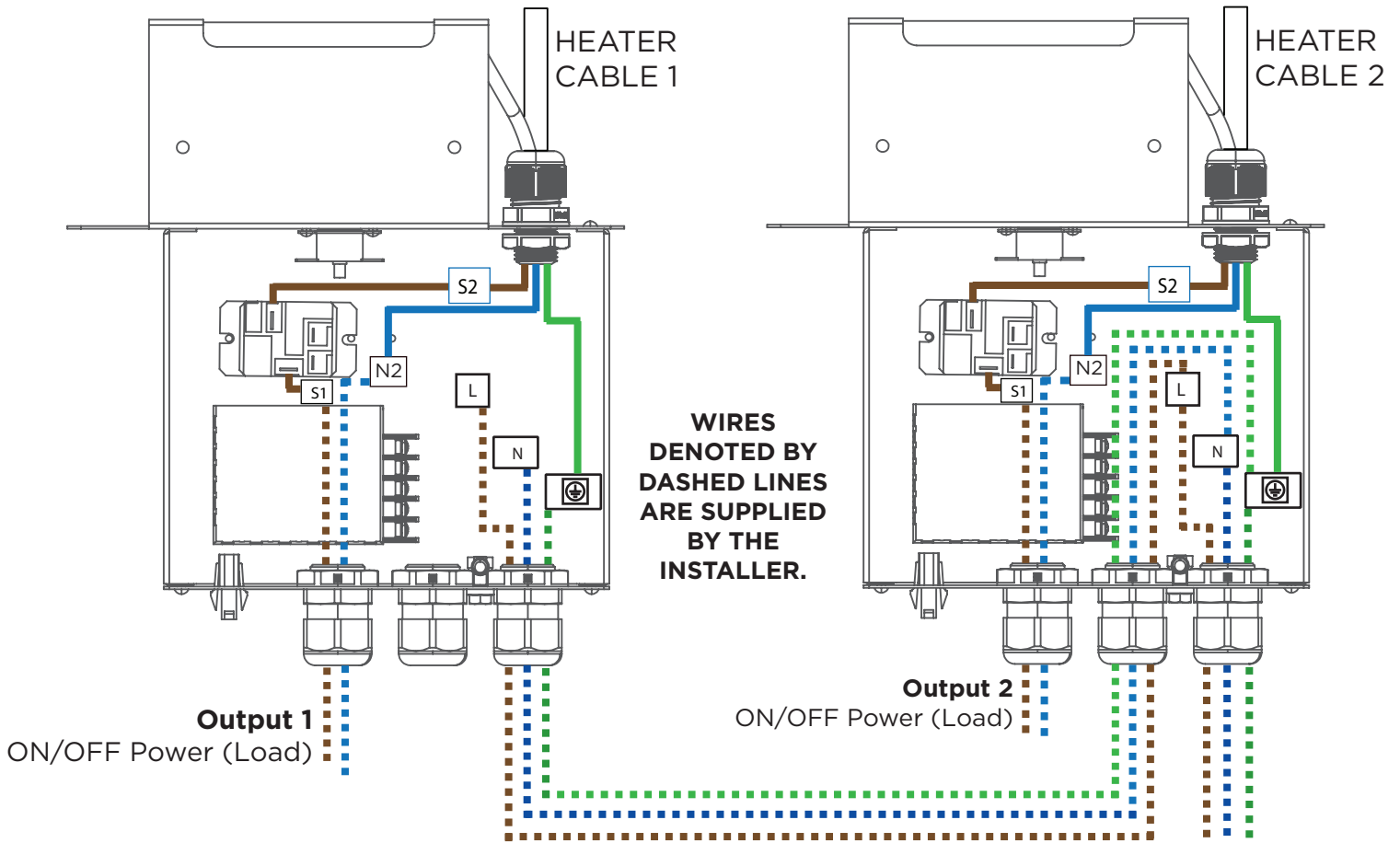
	BROWN LIVE/ACTIVE	BLUE NEUTRAL	GREEN/YELLOW EARTH
OR	HOT LEG 1	HOT LEG 2	
OR	PHASE A	PHASE B	
OR	PHASE B	PHASE C	
OR	PHASE C	PHASE A	

NOTES:

- The ceiling recess kit is designed for the Platinum Electric SII 2300W & 3400W units only.
- Connecting to a 3-phase power system can only be done for 208V versions of the Platinum Electric Heater.

WIRING DIAGRAM FOR LOW CLEARANCE CEILING RECESS KIT (FOR USE WITH 2 HEATERS ON/OFF OR DIMMER)

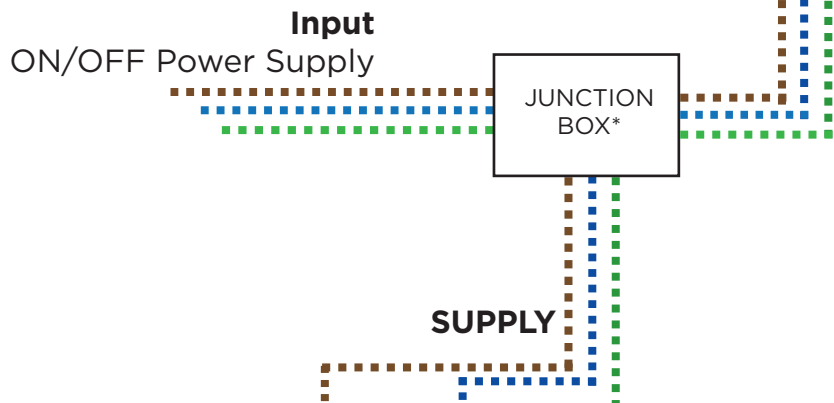
BELOW IS A SIMPLIFIED DIAGRAM OF THE TERMINAL BOX.
ALL CONNECTIONS ADJUSTED BY THE INSTALLER ARE DISPLAYED.
ITEMS NOT DISPLAYED SHALL NOT BE MODIFIED.



WARNING

AC Single Phase Heater must be permanently installed and hard wired by an authorised/licensed person.

This product is designed for use with both 220-240V & 208V Platinum Electric Heaters.

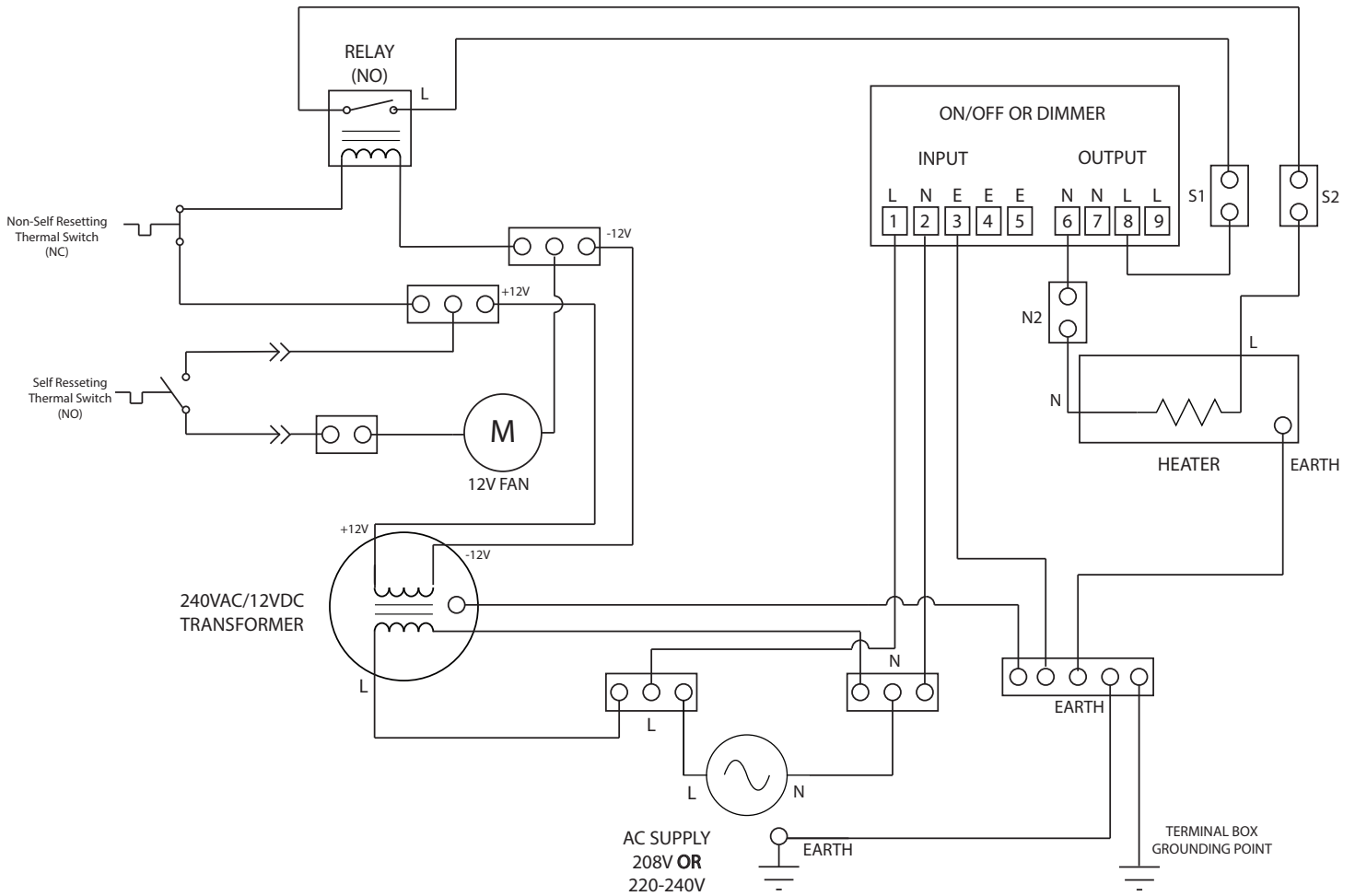


	BROWN LIVE/ACTIVE	BLUE NEUTRAL	GREEN/ YELLOW EARTH
OR	HOT LEG 1	HOT LEG 2	
OR	PHASE A	PHASE B	
OR	PHASE B	PHASE C	
OR	PHASE C	PHASE A	

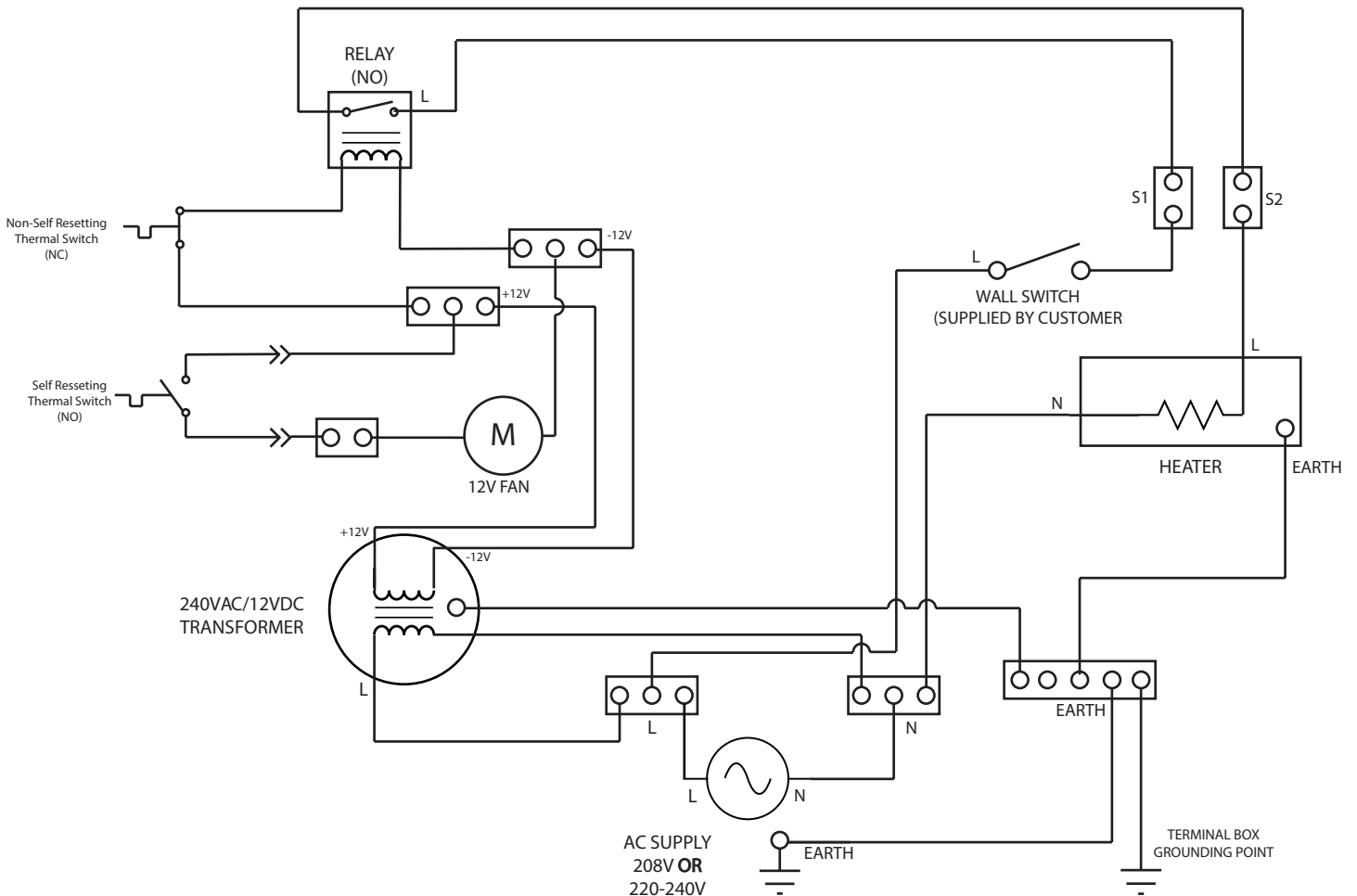
NOTES:

- For wiring instructions using Bronic SmartHeat Electric Wireless Dimmer BH3130011-1 or ON/OFF Controller BH3130010-1 refer to the instructions provided with the controller.
- Connecting to a 3-phase power system can only be done for 208V versions of the Platinum Electric Heater.
- *The junction box and connections inside must be suitable for the voltage and current capacity of the heaters being installed.

ELECTRICAL DIAGRAM - FOR ON/OFF OR DIMMER



ELECTRICAL DIAGRAM - FOR WALL SWITCH



APPAREILS DE CHAUFFAGE ÉLECTRIQUES PLATINUM SMART-HEAT^{MC} PAR BROMIC

INSTRUCTIONS D'INSTALLATION ENCASTRÉE À FAIBLE DÉGAGEMENT AU PLAFOND

POUR LES MODÈLES 3400 W ET 2300 W

! AVERTISSEMENT

Cet appareil de chauffage DOIT être installé de façon permanente par une personne autorisée/agrée. N'effectuez pas d'entretien, ni de procédure d'installation ou de montage lorsque l'appareil est sous tension. Attendez 2 heures après avoir éteint l'appareil avant de le manipuler.

! AVERTISSEMENT

Les solives, les poutres et les chevrons ne doivent pas être coupés ou entaillés pour installer l'appareil de chauffage.

! AVERTISSEMENT

Les instructions ci-dessous sont adaptées aux surfaces de plafond d'une épaisseur de 10 à 30 mm (0,39 po à 1,2 po). Pour les plafonds d'une épaisseur supérieure à 30 mm, contactez Bromic pour d'autres options d'installation.

! AVERTISSEMENT

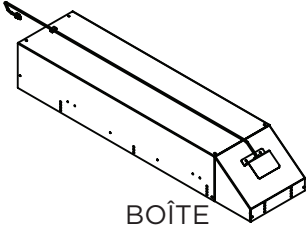
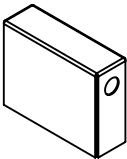
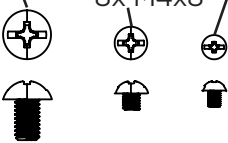
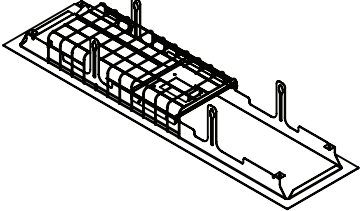
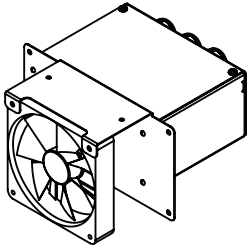
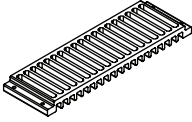
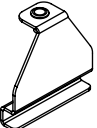
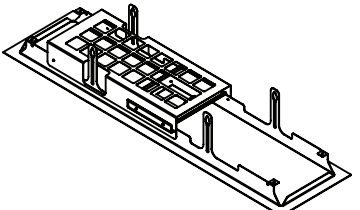
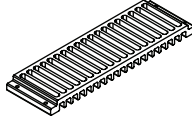
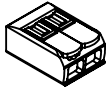
L'appareil de chauffage ne doit, en aucun cas, être recouvert d'un matériau isolant ou d'un matériau similaire.

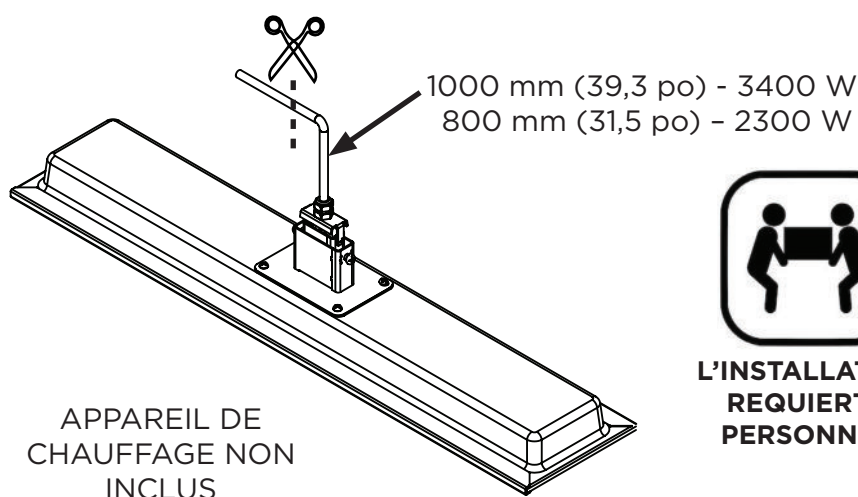
! AVERTISSEMENT

Il est important qu'un entretien régulier soit effectué sur l'appareil de chauffage afin de maintenir son apparence. Inspectez et nettoyez plus fréquemment dans des conditions défavorables telles que les environnements côtiers.

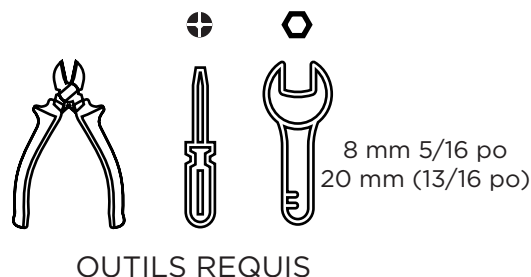
! AVERTISSEMENT

En cas d'installation encastrée au plafond, l'appareil de chauffage doit être complètement protégé de l'eau en cas d'infiltration au-dessus.

 <p>BOÎTE D'ENCASTREMENT AU PLAFOND</p> <p>1x</p>	 <p>COUVERCLE D'ÉTANCHÉITÉ IP</p> <p>1x</p>	<p>1x M6x10 8x M3x6 8x M4x8</p>  <p>MATÉRIEL</p>	 <p>ASSEMBLAGE DE GARNITURE (STANDARD)</p> <p>1x</p>
 <p>BOÎTE À BORNES</p> <p>1x</p>	 <p>COUVERCLE NOIR POUR LA VENTILATION</p> <p>2x</p>	 <p>GARNITURES DE COUVERCLE DE VENTILATION</p> <p>4x</p>	<p>OU</p>  <p>ASSEMBLAGE DE GARNITURE (MARINE)</p> <p>1x</p>
 <p>COUVERCLE BLANC POUR LA VENTILATION</p> <p>2x</p>	 <p>CONNECTEUR WAGO N2</p> <p>1x</p>		



L'INSTALLATION
REQUIERT 2
PERSONNES.



IMPORTANT

LISEZ ATTENTIVEMENT CE MANUEL. VOIR L'INTÉRIEUR DE LA COUVERTURE POUR DES INFORMATIONS IMPORTANTES CONCERNANT CE MANUEL. CONSERVEZ LES INSTRUCTIONS AVEC L'APPAREIL POUR VOUS Y RÉFÉRER ULTÉRIEUREMENT.

Ce manuel contient des renseignements importants pour l'installation, l'utilisation et l'entretien de la trousse d'encastrement pour plafond à faible dégagement des appareils de chauffage électriques Platinum Smart-Heat. Veuillez porter une attention particulière aux renseignements importants en matière de sécurité qui figurent dans le présent manuel d'instruction.

Toute information sur la sécurité sera accompagnée des symboles d'alerte de sécurité suivants :



- Lisez attentivement ce manuel avant d'installer ce produit ou d'en effectuer l'entretien.
- Une installation, une utilisation ou un entretien incorrect peuvent entraîner la mort, des blessures graves ou des dommages matériels.
- Cet appareil est destiné à une installation fixe avec la tension indiquée sur l'étiquette de puissance nominale.
- L'installation DOIT être effectuée par un technicien agréé et autorisé, conformément aux codes électriques locaux.
- L'appareil de chauffage électrique Platinum Smart-Heat^{MC} est destiné à un usage domestique et commercial, sauf indication contraire.
- **Les versions de la trousse pour encastrement au plafond à dégagement faible pour environnements côtiers doivent être installées dans un environnement terrestre et côtier UNIQUEMENT.**
- **La version IPX5 pour environnement côtier de la trousse d'encastrement au plafond ne doit PAS être installée sur des bateaux.**

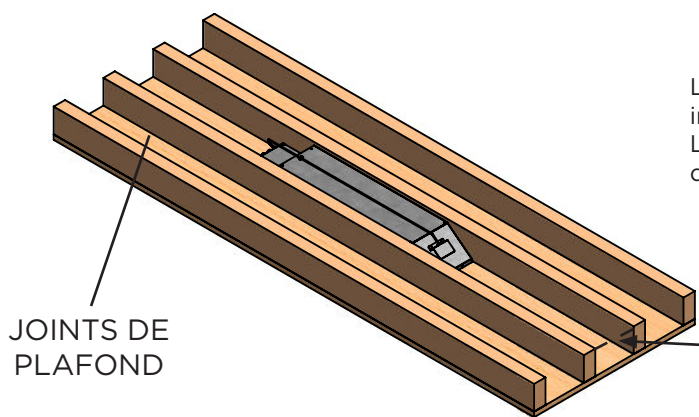
CONSERVEZ CES INSTRUCTIONS

CARACTÉRISTIQUES									
Modèle		Trousse pour installation à faible dégagement au plafond				Trousse pour installation à faible dégagement au plafond pour environnements côtiers			
N° pièce	US/EU	BH3623009		BH3623008		BH3623011		BH3623010	
	AU	2623009		2623008		2623011		2623010	
Rendement total - Kit + chauffage		2300 W		3400 W		2300 W		3400 W	
Connexion électrique requise (volts/ampères)		208 V - C.A. - 60 Hz - 11,1 A	220 à 240 V - C.A. - 50/60 Hz - 9,6 A	208 V - C.A. - 60 Hz - 16,3 A	220 à 240 V - C.A. - 50/60 Hz - 14,2 A	208 V - C.A. - 60 Hz - 11,1 A	220 à 240 V - C.A. - 50/60 Hz - 9,6 A	208 V - C.A. - 60 Hz - 16,3 A	220 à 240 V - C.A. - 50/60 Hz - 14,2 A
Dimensions du boîtier de chauffage seul (L x l x h)		1039 x 261 x 175 mm (40,9 x 10,3 x 6,9 po)		1475 x 261 x 175 mm (40,9 x 10,3 x 6,9 po)		1039 x 261 x 175 mm (40,9 x 10,3 x 6,9 po)		1475 x 261 x 175 mm (40,9 x 10,3 x 6,9 po)	
Poids		11 kg (24.3 lb)		14 kg (31 lb)		11 kg (24.3 lb)		14 kg (31 lb)	
Finition		Acier inoxydable brossé 304				Acier inoxydable brossé 316			
Approbation		ETL: Intertek 5001799, CB/CE-LVD: Intertek 200802166SHA-001/002, SAA: Intertek 200802166SHA-001 <i>BREVET EN INSTANCE</i>							

Siège social : 10 Phiney Place, Ingleburn, NSW 2565 Australie
 Téléphone : 1300 276 642 (en Australie) ou +61 2 9748 3900 (depuis l'étranger) Fax : +61 2 9748 4289
 Courriel : info@bromic.com Web : www.bromic.com

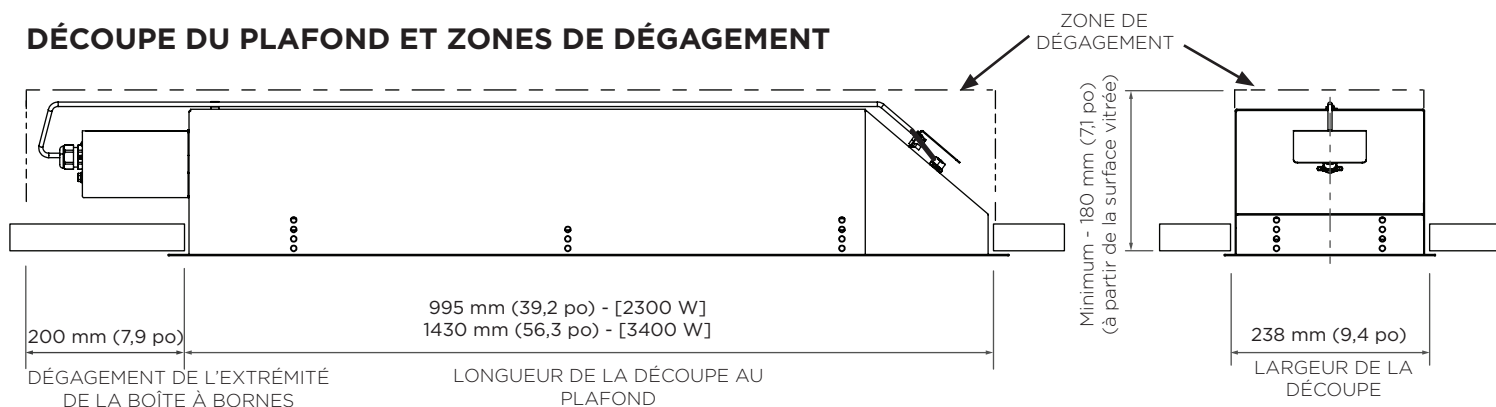
Remarque : Bromic Pty Ltd se réserve le droit d'apporter des modifications aux caractéristiques, aux pièces, aux composants et aux équipements sans notification préalable. Ce manuel d'installation, d'utilisation et d'entretien ne peut être reproduit sous quelque forme que ce soit sans l'accord écrit préalable de Bromic Pty Ltd.

VUE ISOMÉTRIQUE ILLUSTRANT LES OPTIONS DE CONFIGURATION DE L'INSTALLATION DE LA TROUSSE D'ENCASTREMENT À FAIBLE DÉGAGEMENT

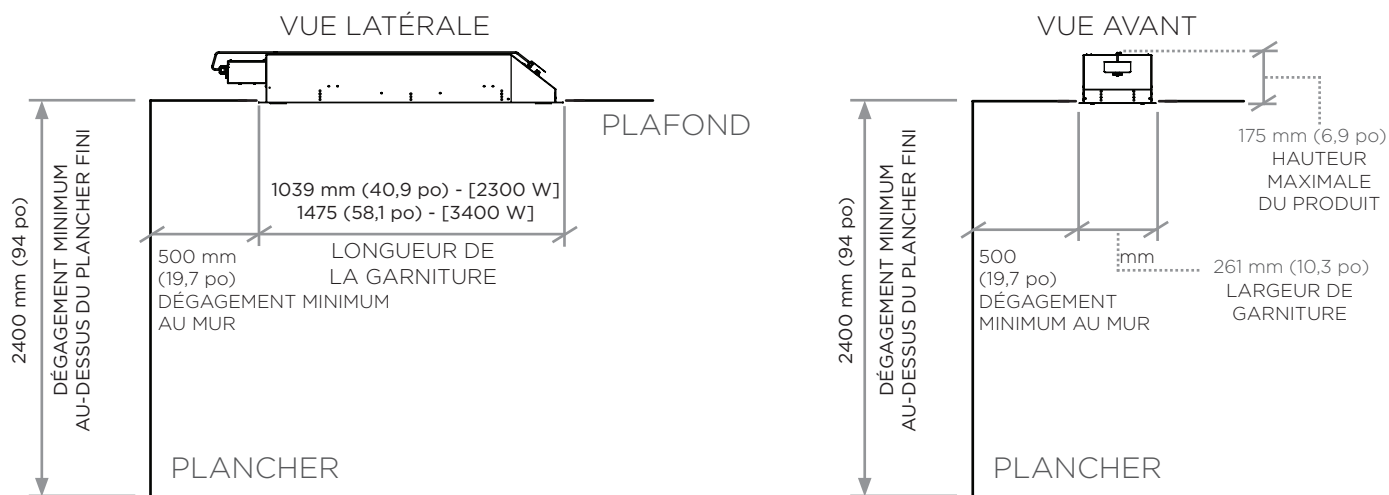


L'exemple représente la trousse d'encastrement installée sur les côtés longitudinaux uniquement. L'installateur doit s'assurer que le produit est installé dans une configuration structurellement solide.

DÉCOUPE DU PLAFOND ET ZONES DE DÉGAGEMENT



DÉGAGEMENT DE LA PIÈCE DIMENSIONS GÉNÉRALES



⚠ AVERTISSEMENT

Le dégagement vertical minimum entre le boîtier d'encastrement au plafond et la surface du plafond doit être de 180 mm (7,1 po).

Le dégagement minimum mesuré entre l'extrémité de la boîte à bornes et la surface la plus proche doit être de 200 mm (7,9 po).

La distance minimale entre la découpe du plafond et le mur le plus proche doit être de 500 mm (19,7 po).

La distance minimale entre les appareils de chauffage, mesurée à partir du bord de la découpe du plafond, doit être de 500 mm (19,7 po).

La distance minimale entre la surface de l'appareil de chauffage et le plancher fini est de 2400 mm (94 po).

Versions standard

Veillez à ce que l'unité de chauffage ne soit pas directement exposée à la pluie ou au contact de l'eau. Pour une durée de vie plus longue et pour préserver l'apparence du produit, installez l'appareil de chauffage sous un couvercle et protégez-le de la pluie et des intempéries.

Versions marines

Dans un environnement d'air salé, comme à proximité d'un océan, la corrosion se produit plus rapidement que normalement. De l'acier inoxydable brossé 316 est utilisé dans la version pour environnements côtiers. Les embruns salés doivent être nettoyés immédiatement de l'appareil de chauffage et de la trousse d'encastrement. L'appareil de chauffage et la trousse d'encastrement devraient être nettoyés tous les 15 jours pour maximiser la durée de vie du produit. Chaque année, faites appel à un technicien qualifié pour identifier d'éventuelles zones corrodées et cessez l'utilisation de l'appareil de chauffage lorsque ce n'est plus sécuritaire de le faire.

LES INSTRUCTIONS COMMENCENT ICI

1. Préparez la découpe du plafond (a) en respectant les dimensions :

3400 W - 1430 mm x 240 mm (56,3 po X 9,45 po)

2300 W - 1000 mm x 240 mm (39,4 po X 9,45 po)

Lors de l'installation, la surface de l'appareil de chauffage doit être à une distance minimum de 2400 mm (94 po) du plancher fini, avec un dégagement d'au minimum 200 mm (7,9 po) entre l'extrémité de la boîte à bornes et la surface de l'appareil de chauffage la plus proche. La distance minimale entre les appareils de chauffage, mesurée à partir du bord de l'appareil de chauffage, doit être de 500 mm (19,7 po). Consultez les dimensions d'installation ci-dessous.


2. Fixez le cadre au plafond avec 6 fixations appropriées le long du bord long.


REMARQUE : Les vis de fixation doivent être insérées dans un matériau solide qui peut facilement supporter le poids de l'ensemble. Votre environnement d'installation peut nécessiter un renforcement avant que le cadre puisse être installé en toute sécurité.




IMPORTANT

Il est de la responsabilité de l'installateur de s'assurer que le site d'installation peut supporter la masse de l'installation de l'appareil de chauffage, soit 18,5 kg (41 lb) [2300 W] ou 24 kg (53 lb) [3400 W].

UTILISEZ UN MINIMUM DE 12 FIXATIONS POUR LES ÉLÉMENTS EN BOIS

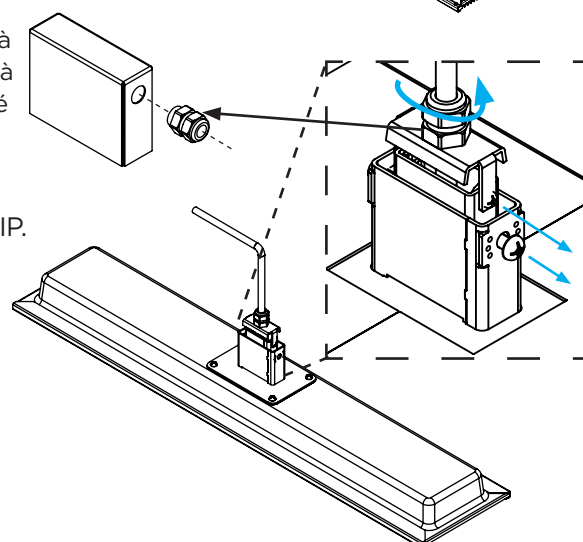
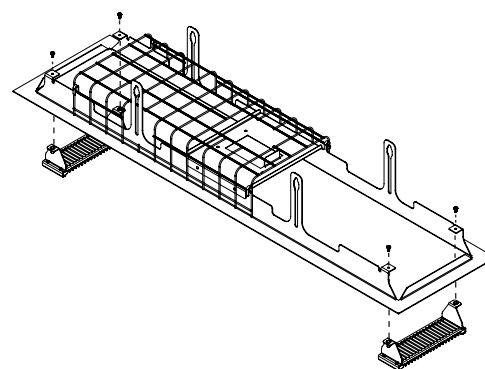
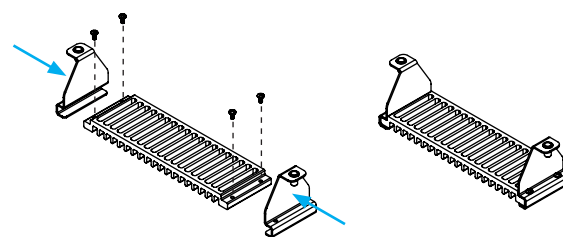
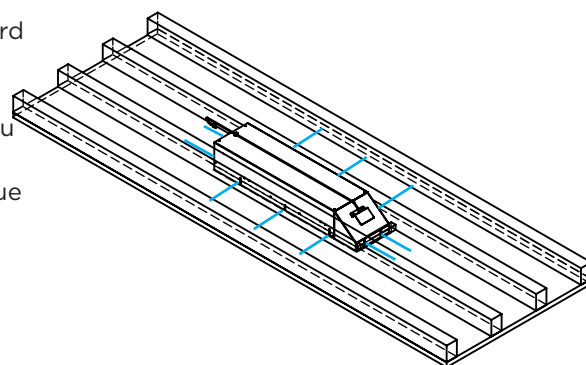
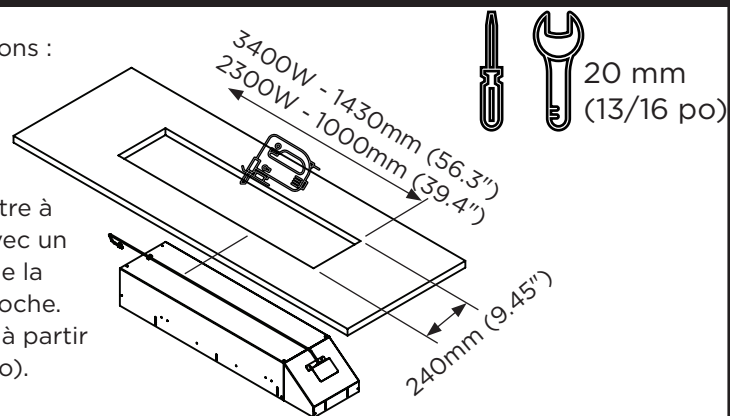
3. Assemblez les 2 couvercles de ventilation ensemble en utilisant les garnitures de couvercle de ventilation et les 4 vis  **M3 de 6 mm**. La couleur des couvercles de ventilation doit correspondre à celle de l'appareil de chauffage.

4. Installez les couvercles de ventilation assemblés à l'extrémité de l'assemblage de garniture en utilisant 4 vis  **M4 de 8 mm**.

5. Retirez les 2 vis  **M6 de 14 mm** et les 2 vis  **M4 de 8 mm** sur le support arrière de l'appareil de chauffage. Retirez le support de pivot à l'arrière de l'appareil de chauffage. Desserrez le presse-étoupe  **M16** à l'aide d'une clé de 20 mm (13/16 po) et installez le presse-étoupe retiré sur le couvercle IP.

ASSUREZ-VOUS QUE L'ÉCROU DU PRESSE-ÉTOUPE EST RÉINSTALLÉ SUR LA SURFACE INTERNE DU COUVERCLE IP.

REMARQUE : Au cours de cette étape, le dispositif de décharge de traction a été retiré. Il faut veiller à ne pas appliquer de charge importante sur le câble, car cela pourrait solliciter les sertissages internes du câble et endommager définitivement l'appareil de chauffage.



INSTRUCTIONS D'INSTALLATION ENCASTRÉE AU PLAFOND (SUITE)...

6. Retirez avec précaution les 4 vis **M5 de 10 mm** à l'arrière de l'appareil de chauffage et alignez l'assemblage de garnitures de l'appareil de chauffage avec les trous de montage.

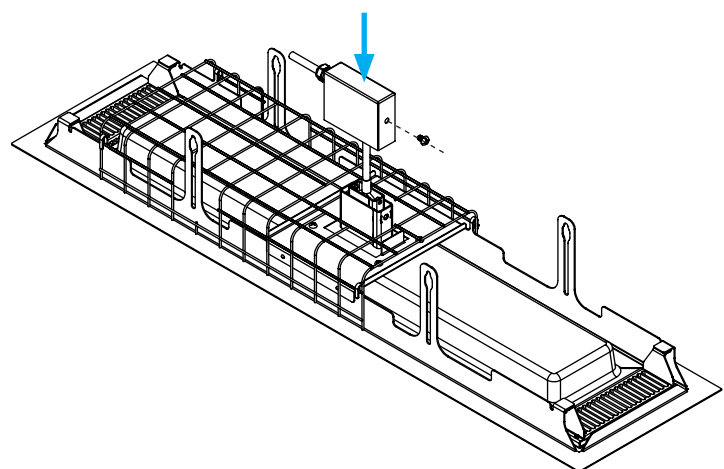
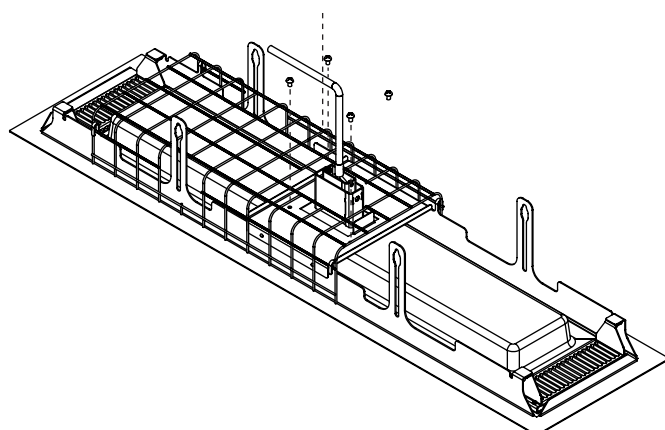
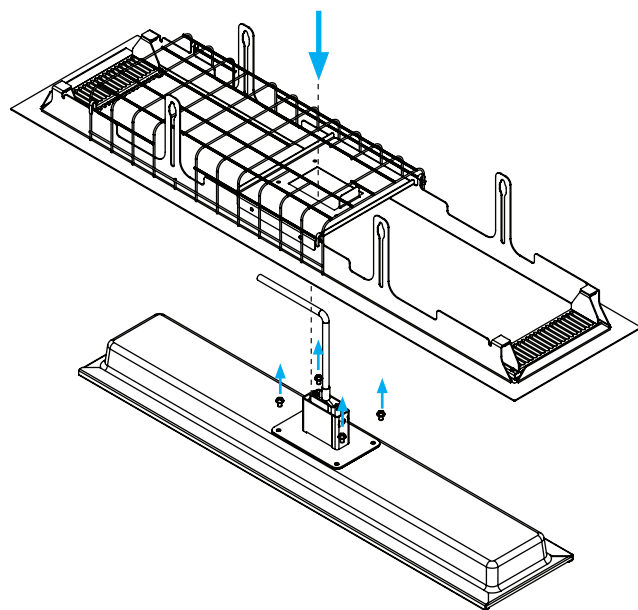
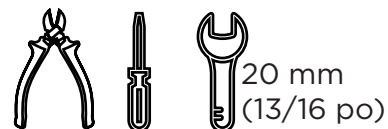
Le câble passe par l'ouverture située au centre de l'assemblage de garnitures.

REMARQUE : LE SUPPORT ARRIÈRE DE L'APPAREIL DE CHAUFFAGE **NE DOIT PAS** ÊTRE RETIRÉ.

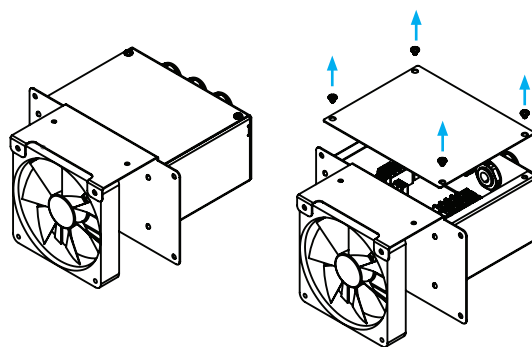
7. Réinstallez les 4 vis **M5 de 10mm** pour fixer l'appareil de chauffage à l'assemblage de garnitures.

8. Faites passer le câble de l'appareil de chauffage à travers le couvercle IP et le presse-étoupe. Fixez le support IP à l'appareil de chauffage en utilisant la vis **M6 de 10 mm**.

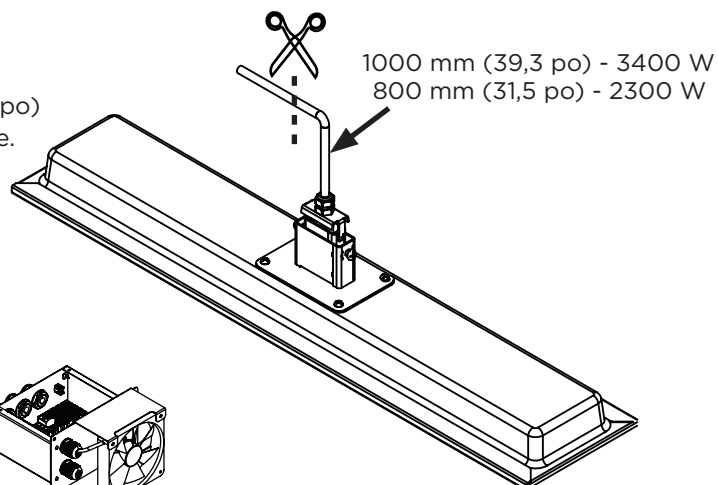
Lorsqu'en place, assurez-vous que le presse-étoupe **M16** est fixé à l'aide d'une clé de 20 mm (13/16 po).



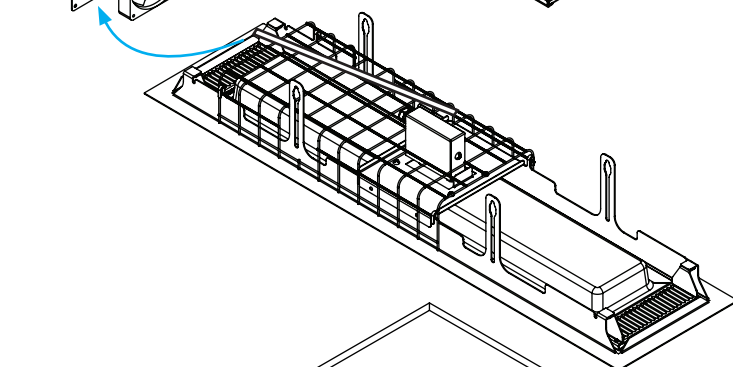
9. Retirez le couvercle de la boîte à bornes en retirant les 4 vis **M4 de 8 mm** et mettez-les de côté pour le remontage.



10. Coupez le câble de l'appareil de chauffage au minimum à 1000 mm (39,3 po) pour l'appareil de 3400 W, ou 800 mm (31,5 po) pour l'appareil de 2300 W, en mesurant à partir du presse-étoupe.

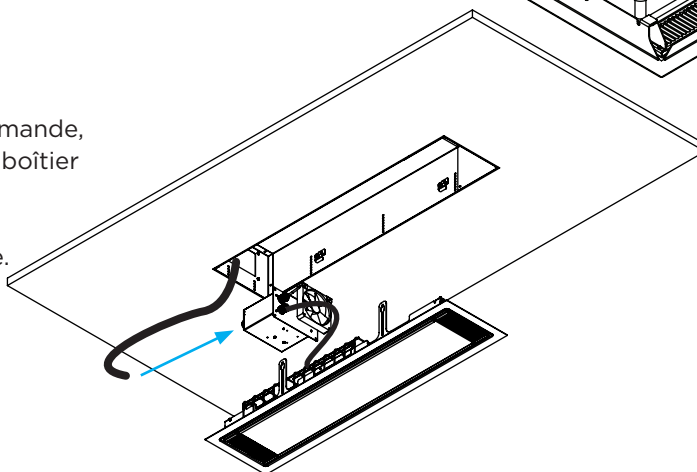


11. Faites passer le câble de l'appareil de chauffage par le presse-étoupe inférieur **M16** situé sur la boîte à bornes. Assurez-vous que le presse-étoupe est bien serré.



12. Faites passer le câble d'alimentation (et le câble de commande, le cas échéant) par la découpe de la boîte à bornes dans le boîtier de l'appareil de chauffage.

Reportez-vous aux schémas de câblage de la page suivante.



Pour les installations utilisant un gradateur Bronic (vendu séparément) OU un contrôleur Marche/Arrêt (vendu séparément), veuillez vous référer au schéma électrique de la page 11.

Pour les installations utilisant un interrupteur mural manuel (non fourni), veuillez vous référer au schéma électrique de la page 12.

Les schémas électriques complets se trouvent à la page 14.

INSTRUCTIONS D'INSTALLATION ENCASTRÉE AU PLAFOND (SUITE)...

13. Une fois que toutes les connexions ont été effectuées, utilisez les 4 vis **M4 de 8 mm** fournies pour fermer la boîte à bornes.

AU MINIMUM 2 PERSONNES SONT REQUISES POUR LES ÉTAPES SUIVANTES.



LA CHARGE DE LEVAGE MAXIMALE SÉCURITAIRE PAR PERSONNE EST DE 16 kg (26,5 lb).

14. Apportez l'appareil de chauffage et la boîte à bornes sur une plate-forme de travail stable, plus près de l'extrémité de la découpe de la boîte à bornes.



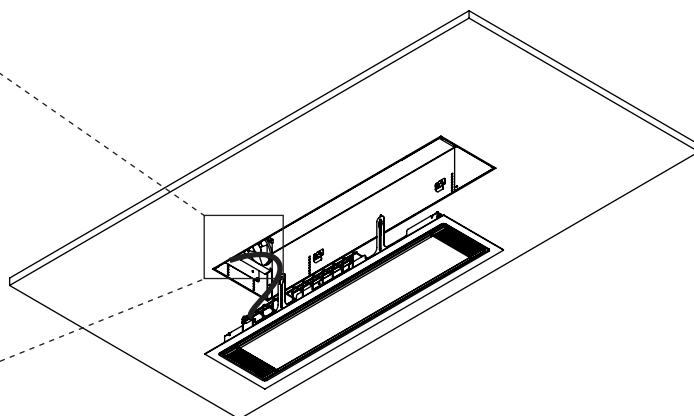
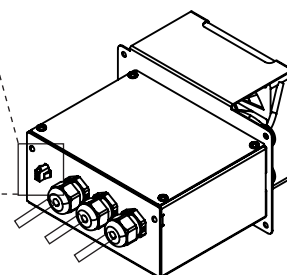
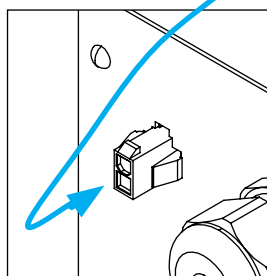
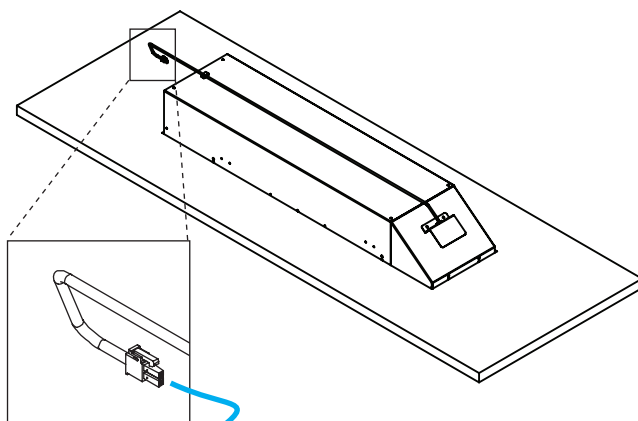
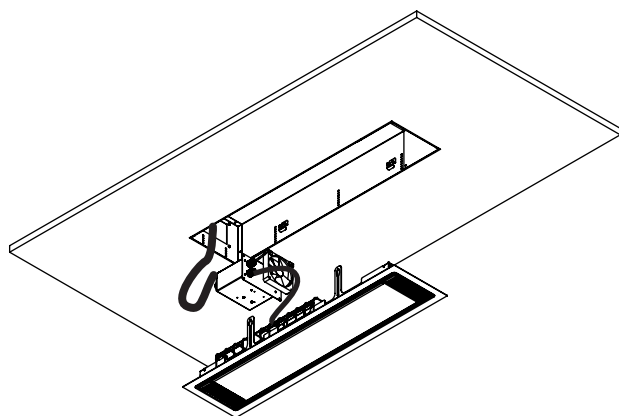
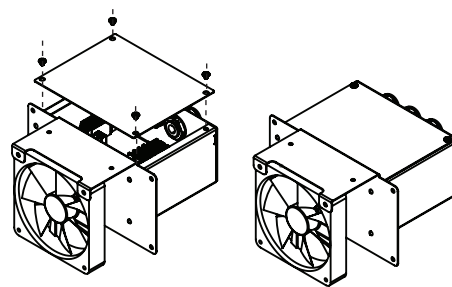
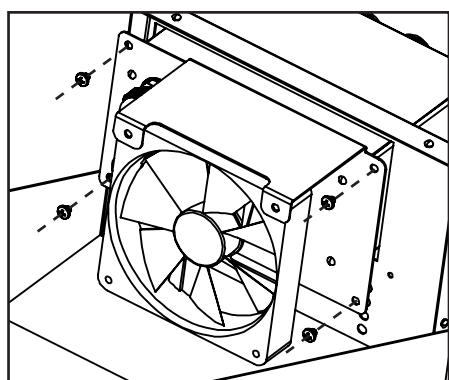
IMPORTANT
ASSUREZ-VOUS QUE LA VITRE AVANT DE L'APPAREIL DE CHAUFFAGE EST PROTÉGÉE AVANT DE LE PLACER SUR LE DESSUS.

15. Avant d'installer la boîte à bornes, récupérez le câble de l'interrupteur thermique. Branchez-le dans la prise de l'interrupteur thermique à l'arrière de la boîte à bornes.



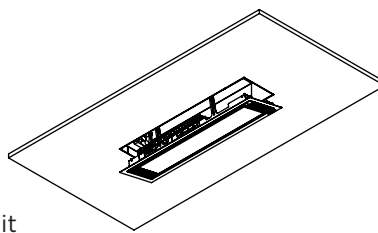
AVERTISSEMENT
L'appareil ne fonctionnera pas si la fiche de l'interrupteur thermique n'est pas insérée dans le réceptacle à l'arrière de la boîte à bornes.

16. Fixez la boîte à bornes dans la boîte d'encastrement au plafond à l'aide de 4 vis **M4 de 8 mm**.



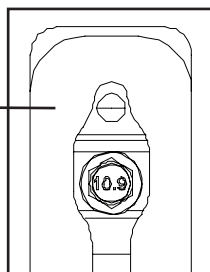
INSTRUCTIONS D'INSTALLATION ENCASTRÉE AU PLAFOND (SUITE)...

17. Fixez l'assemblage de garniture à la boîte d'encastrement au plafond en accrochant un côté de la languette de montage à 2 boulons hexagonaux à embase **M5 de 12 mm**.



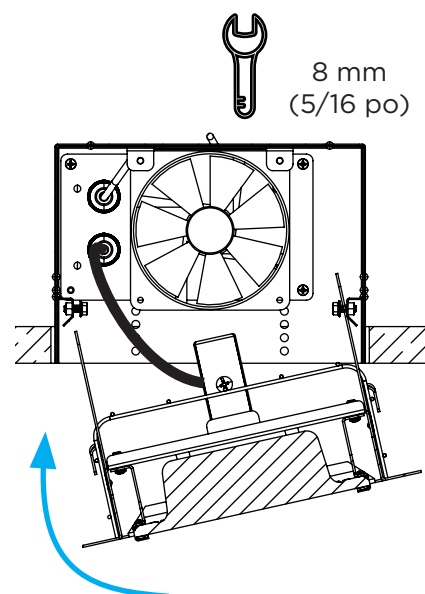
Veillez à ce que le câble de l'appareil de chauffage soit placé à l'intérieur des crochets de montage.

Languette de montage

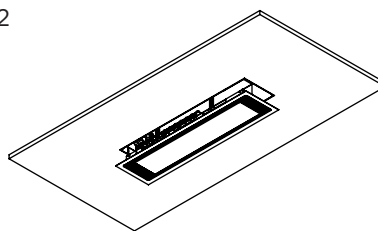


! IMPORTANT

Veillez à ce que le câble de l'appareil de chauffage soit placé à l'intérieur des crochets de montage.

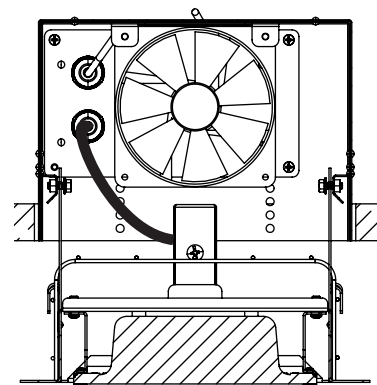


18. Faites pivoter l'assemblage de garniture et fixez l'autre côté des languettes de montage aux autres 2 boulons hexagonaux à embase **M5 de 12 mm**.

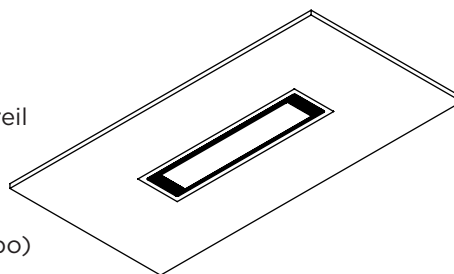


! AVERTISSEMENT

Le câble d'alimentation de l'appareil de chauffage **DOIT** reposer complètement sur la structure de support. Le câble d'alimentation **NE DOIT PAS** toucher la surface arrière de l'appareil de chauffage.

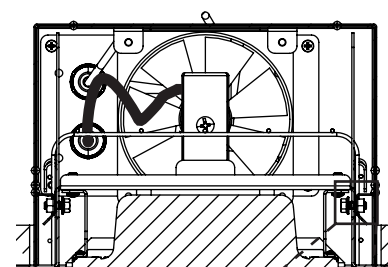


19. Soulevez l'assemblage de garnitures de l'appareil de chauffage de sorte qu'il affleure le plafond.

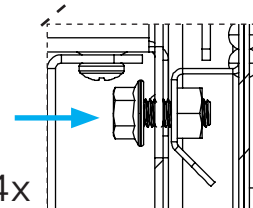


Serrez les 4 boulons hexagonaux à embase **M5 de 12 mm** à l'aide d'une clé de 8 mm (5/16 po) pour fixer l'appareil de chauffage en place.

Vérifiez que l'alignement de l'appareil de chauffage affleure le plafond avant de serrer les vis.



4x



INSTALLATION ÉLECTRIQUE

1. Vérifiez l'étiquette du produit pour connaître la tension et la puissance adéquates pour s'assurer que la source d'alimentation est conforme aux exigences de l'appareil de chauffage.
2. Le câble d'alimentation doit être éloigné et protégé de l'enceinte de l'appareil de chauffage.
3. Effectuez toutes les connexions conformément aux réglementations du code électrique local. Pour une installation à l'extérieur, toutes les connexions doivent être effectuées conformément aux réglementations du code électrique local pour le câblage extérieur. N'utilisez que des composants de câblage approuvés pour une utilisation à l'extérieur avec un indice minimum IPX5.



AVERTISSEMENT

Cet appareil de chauffage DOIT être installé de façon permanente par une personne autorisée/agrèée. Ne pas effectuer d'entretien, ni de procédure d'installation ou de montage lorsque l'appareil est sous tension. Pour déconnecter l'appareil de chauffage, mettez l'appareil de chauffage hors tension au panneau principal.



AVERTISSEMENT

RISQUE DE CHOC ÉLECTRIQUE! Des blessures graves ou la mort peuvent survenir. Débranchez l'alimentation électrique avant d'installer ou d'entretenir cet appareil de chauffage. Lisez et suivez les exigences de dégagement pour l'installation décrites dans ce manuel. L'appareil DOIT être branché à une source électrique correctement mise à la terre.

Pour les instructions de câblage pour le gradateur électrique sans fil Bronic SmartHeat Platinum BH3130011-1 ou le contrôleur MARCHE/ARRÊT BH3130010-1, se référer aux instructions fournies avec le contrôleur ou le gradateur.

IMPORTANT : Les gradateurs électroniques génèrent de la chaleur pendant leur fonctionnement. Pour les appareils de chauffage Bronic installés avec le gradateur électrique sans fil Bronic SmartHeat BH3130011-1 ou le contrôleur MARCHE/ARRÊT BH3130010-1, il est essentiel de s'assurer que ces dispositifs soient montés dans un endroit propre, sec et bien ventilé, avec un dégagement de tous les côtés. Il faut s'assurer que les gradateurs/contrôleurs ne sont pas installés dans un espace confiné, à proximité d'autres appareils générant de la chaleur ou dans le cas d'une installation à plusieurs gradateurs, qu'ils ne soient pas trop proches les uns des autres. Les gradateurs doivent rester à température fraîche à tout moment. Veuillez consulter les instructions d'installation des gradateurs Bronic pour plus de détails ou pour toute autre question, veuillez contacter les services d'assistance technique de Bronic.

ENTRETIEN



AVERTISSEMENT

RISQUE DE CHOC ÉLECTRIQUE!

Des blessures graves ou la mort peuvent survenir. Débranchez l'alimentation électrique avant d'effectuer un entretien de cet appareil de chauffage.



AVERTISSEMENT

L'entretien et la maintenance DOIVENT être effectués uniquement par une personne autorisée et agréée. Ne faites pas fonctionner l'appareil de chauffage après un dysfonctionnement. Débranchez l'alimentation électrique au panneau de service et faites inspecter l'appareil de chauffage par un électricien certifié avant de le réutiliser.



AVERTISSEMENT

Si le cordon d'alimentation est endommagé, il doit être remplacé par Bronic, un agent de service de Bronic ou une personne de qualification similaire pour éviter tout danger. Communiquez avec Bronic pour plus d'informations sur le remplacement du cordon d'alimentation.

MAINTENANCE

Veillez à ce que l'unité de chauffage ne soit pas directement exposée à la pluie ou au contact de l'eau. Pour une durée de vie plus longue et pour préserver l'apparence du produit, installez l'appareil de chauffage sous un couvercle et protégez-le de la pluie et des intempéries, lorsque possible.

Le boîtier extérieur de l'appareil de chauffage doit être nettoyé tous les quinze jours. Pour nettoyer l'appareil, assurez-vous que le chauffage est éteint et qu'il a été éteint pendant au moins 2 heures après son utilisation, avant d'essuyer toute saleté ou poussière avec un chiffon doux et humide.

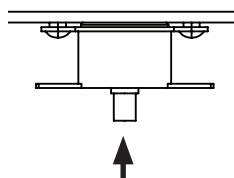
Le sel présent dans l'air peut provoquer la rouille du métal, en particulier dans les environnements côtiers. Un nettoyage supplémentaire de l'appareil avec un chiffon doux et humide tous les quinze jours aidera à maintenir l'apparence du produit.

DÉPANNAGE

PROBLÉMATIQUE	CAUSE(S) POSSIBLE(S)	ACTION CORRECTIVE
Pas de chaleur	<ol style="list-style-type: none">1. Mauvaise connexion2. L'interrupteur thermique de sécurité n'est pas branché.3. L'interrupteur thermique de sécurité manuel s'est réenclenché.	<ol style="list-style-type: none">1. Vérifiez la connexion à l'alimentation électrique.2. Vérifiez que l'interrupteur thermique est branché (voir étape 14).3. Réinitialisez l'interrupteur thermique de sécurité manuel situé à l'intérieur de la boîte à bornes (voir le schéma électrique).
Pas assez de chaleur	<ol style="list-style-type: none">1. L'appareil de chauffage n'est pas assez puissant pour l'endroit où il est installé.2. L'appareil de chauffage est monté trop haut ou trop loin.3. La tension connectée à l'appareil de chauffage est incorrecte.	<ol style="list-style-type: none">1. Ajoutez un ou plusieurs autres appareils de chauffage.2. Diminuez la chaleur ou la distance de montage.3. Vérifiez que la tension d'alimentation est correcte.
Trop de chaleur	<ol style="list-style-type: none">1. L'appareil de chauffage est trop puissant pour l'endroit où il est installé.2. L'appareil de chauffage est monté trop bas ou trop près.3. La tension connectée à l'appareil de chauffage est incorrecte.	<ol style="list-style-type: none">1. Remplacez l'appareil par un appareil moins puissant.2. Augmentez la hauteur ou la distance de montage.3. Vérifiez que la tension d'alimentation est correcte.

Interrupteur thermique de sécurité manuel

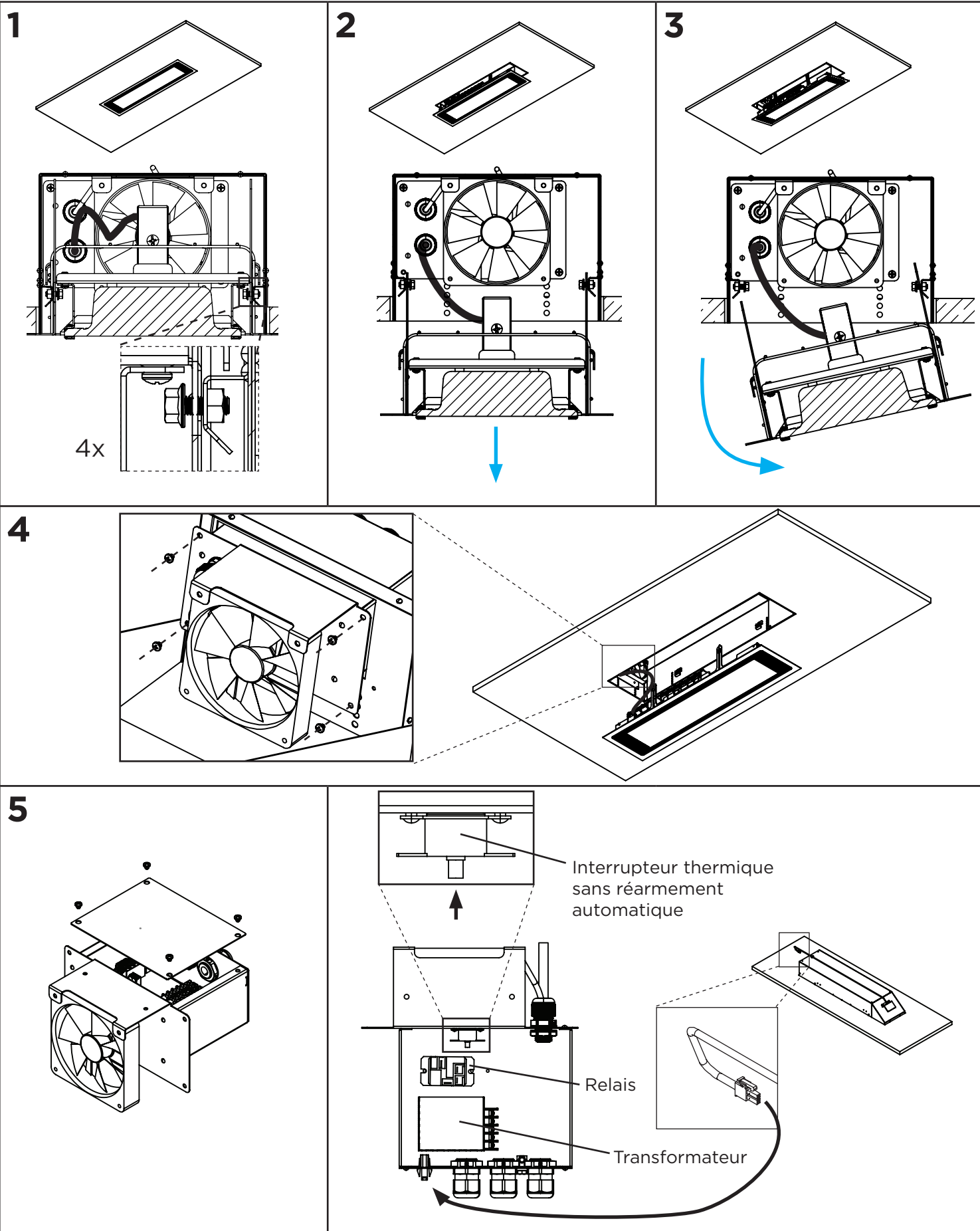
Si les températures dépassent les limites de sécurité, l'interrupteur thermique de sécurité manuel se déclenche. Cela peut être dû au fait que le ventilateur est endommagé ou que l'appareil de chauffage fonctionne à une température ambiante élevée. Pour réinitialiser l'interrupteur, appuyez sur le bouton de réinitialisation situé au milieu de l'interrupteur. Il est situé dans la boîte à bornes. L'EMPLACEMENT EST MONTRÉ À LA PAGE 10.



AVERTISSEMENT

Assurez-vous que le circuit n'est pas sous tension avant de tenter de réinitialiser l'interrupteur de sécurité.

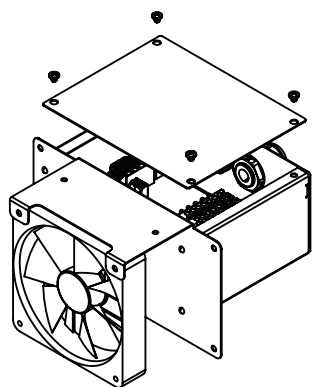
GUIDE RAPIDE POUR ACCÉDER À LA BOÎTE À BORNES



RÉFÉREZ-VOUS AUX SCHÉMAS DE CÂBLAGE DE LA PAGE 14.
SI LE PRODUIT NE FONCTIONNE TOUJOURS PAS, CONTACTEZ BROMIC POUR UNE ASSISTANCE
TECHNIQUE SUPPLÉMENTAIRE.

SCHÉMA DE CÂBLAGE POUR LA TROUSSE D'ENCASTREMENT À FAIBLE DÉGAGEMENT AU PLAFOND (POUR UTILISATION AVEC UN GRADATEUR OU UN CONTRÔLEUR MARCHÉ/ARRÊT)

LE SCHÉMA CI-DESSOUS EST UN SCHÉMA SIMPLIFIÉ DE LA BOÎTE À BORNES. TOUTES LES CONNEXIONS AJUSTÉES PAR L'INSTALLATEUR SONT AFFICHÉES. LES ÉLÉMENTS NON AFFICHÉS NE DOIVENT PAS ÊTRE MODIFIÉS.



Interrupteur manuel de sécurité thermique



VUE DE DESSUS DE LA BOÎTE À BORNES

AVERTISSEMENT

L'appareil de chauffage monophasé CA doit être installé de façon permanente et le câblage doit être effectué par une personne autorisée/agrèée.

Ce produit est conçu pour être utilisé avec les appareils de chauffage électriques Platinum 220-240 V et 208 V.

LES FILS INDICUÉS PAR DES LIGNES POINTILLÉES SONT FOURNIS PAR L'INSTALLATEUR.

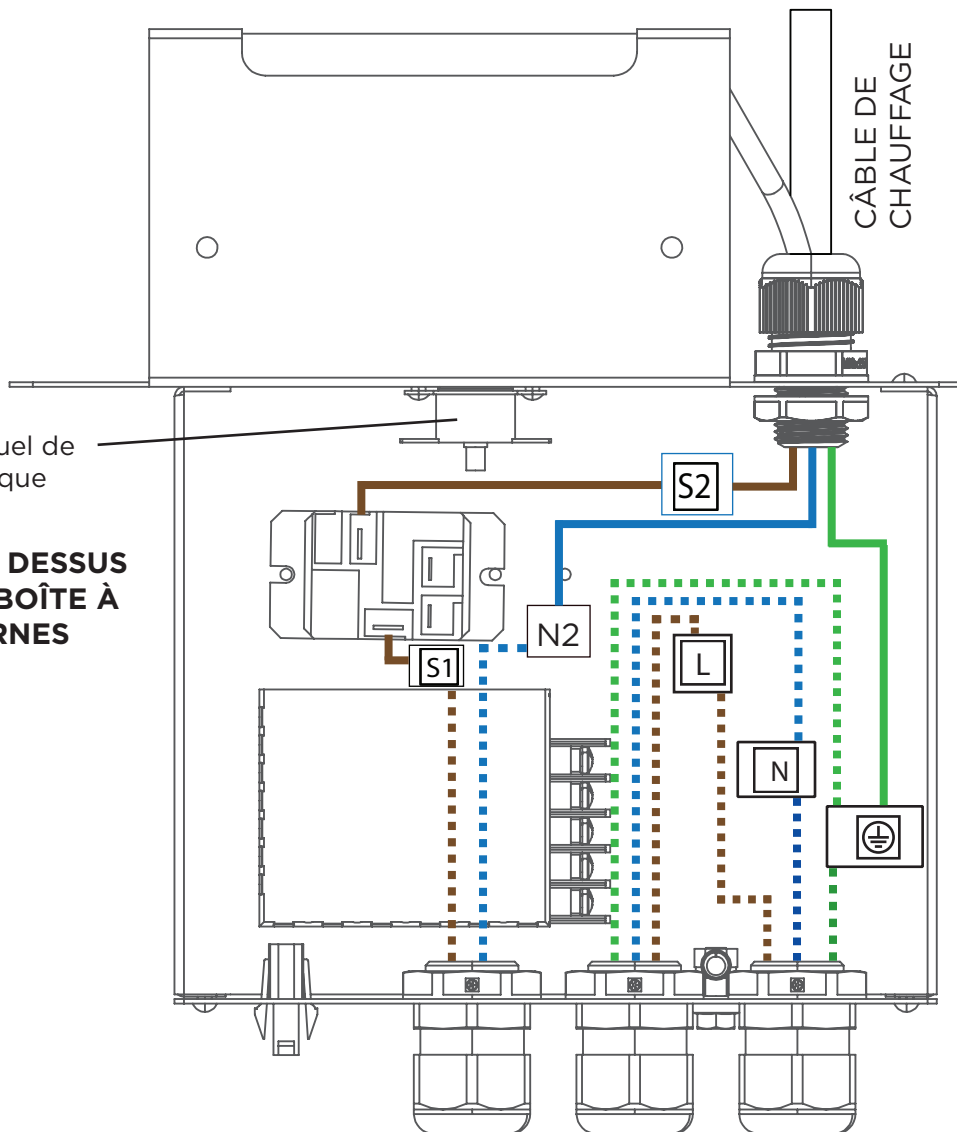
Vers la **sortie** de puissance (charge) du gradateur
OU **sortie** de puissance (charge) de l'interrupteur MARCHÉ/ARRÊT

Vers l'**entrée** d'alimentation (charge) du gradateur OU l'**entrée** d'alimentation de l'interrupteur MARCHÉ/ARRÊT

ALIMENTATION

	BRUN	BLEU
	SOUS TENSION/ALIMENTÉ	NEUTRE
OU	BRANCHE CHAUDE 1	BRANCHE CHAUDE 1
OU	PHASE A	PHASE B
OU	PHASE B	PHASE C
OU	PHASE C	PHASE A

VERT/JAUNE
MISE À LA TERRE

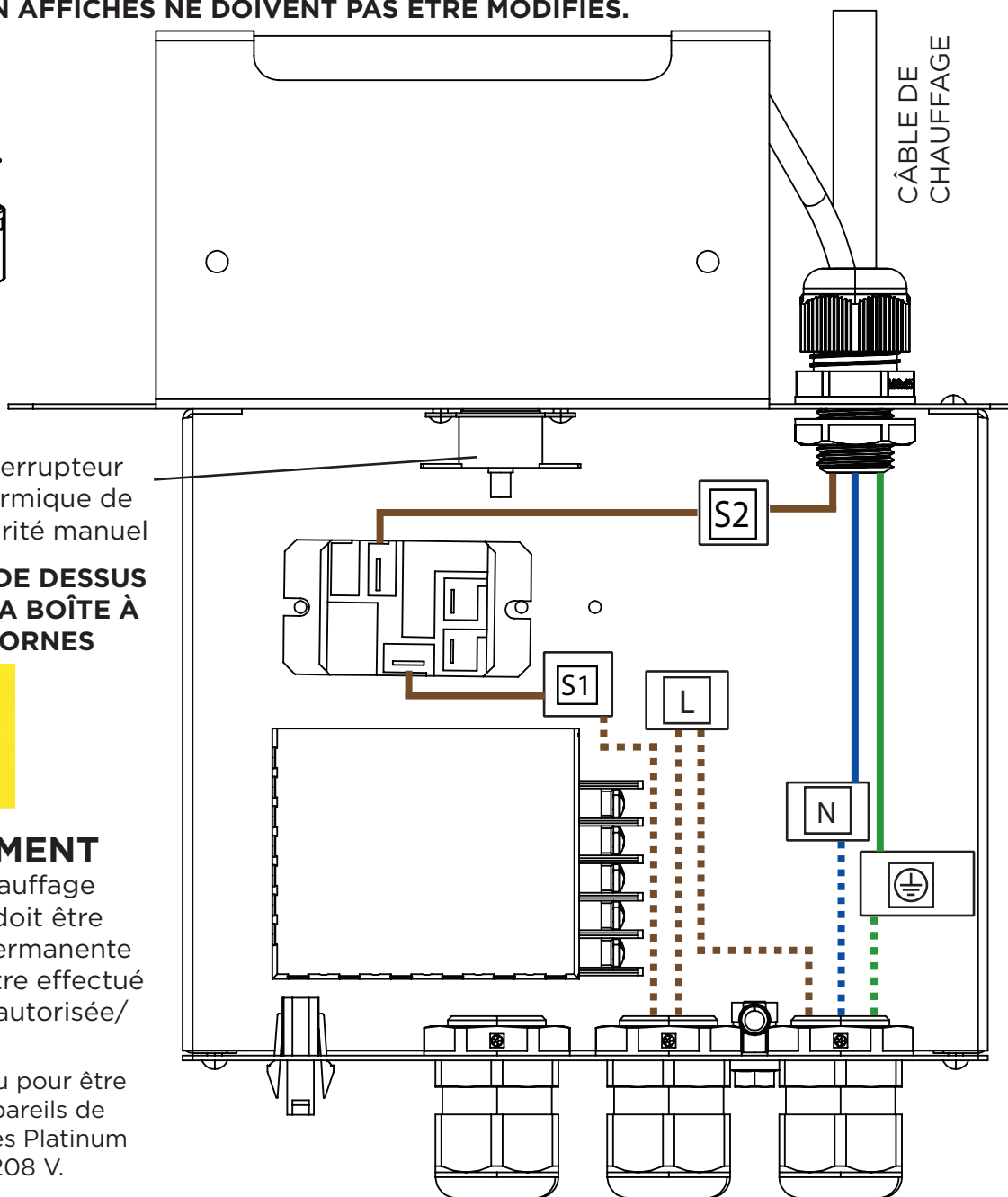
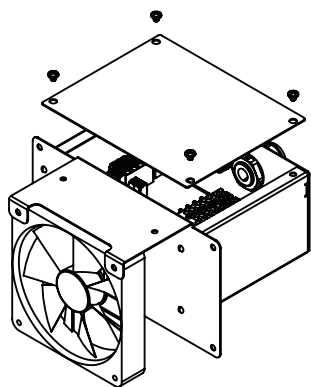


REMARQUES

- Pour les instructions de câblage pour le gradateur électrique sans fil Bromic SmartHeat BH3130011-1 ou le contrôleur MARCHÉ/ARRÊT BH3130010-1, se référer aux instructions fournies avec le contrôleur ou le gradateur.
- Le raccordement à un système d'alimentation triphasé ne peut être effectué que pour les versions 208 V de l'appareil de chauffage électrique Platinum.

SCHÉMA DE CÂBLAGE POUR LA TROUSSE D'ENCASTREMENT À FAIBLE DÉGAGEMENT AU PLAFOND (POUR UTILISATION AVEC UN INTERRUPTEUR MURAL)

LE SCHÉMA CI-DESSOUS EST UN SCHÉMA SIMPLIFIÉ DE LA BOÎTE À BORNES. TOUTES LES CONNEXIONS AJUSTÉES PAR L'INSTALLATEUR SONT AFFICHÉES. LES ÉLÉMENTS NON AFFICHÉS NE DOIVENT PAS ÊTRE MODIFIÉS.



Interrupteur thermique de sécurité manuel

VUE DE DESSUS DE LA BOÎTE À BORNES

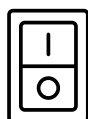


AVERTISSEMENT

L'appareil de chauffage monophasé CA doit être installé de façon permanente et le câblage doit être effectué par une personne autorisée/agrèée.

Ce produit est conçu pour être utilisé avec les appareils de chauffage électriques Platinum 220-240 V et 208 V.

INTERRUPTEUR MURAL FOURNI PAR LE CLIENT



LES FILS INDICUÉS PAR DES LIGNES POINTILLÉES SONT FOURNIS PAR L'INSTALLATEUR.

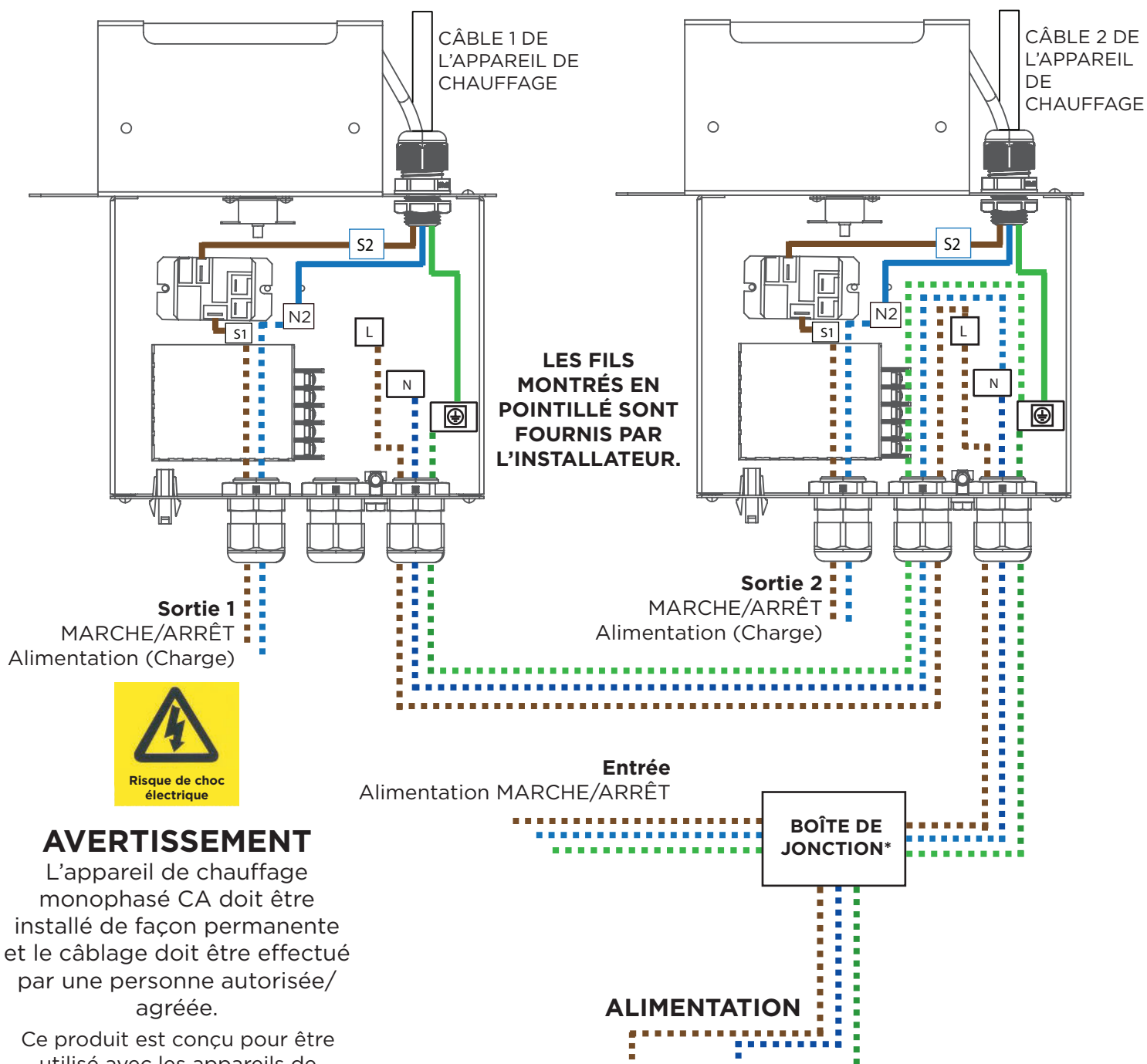
	BRUN SOUS TENSION/ALIMENTÉ	BLEU NEUTRE	VERT/JAUNE MISE À LA TERRE
OU	BRANCHE CHAUDE 1	BRANCHE CHAUDE 1	
OU	PHASE A	PHASE B	
OU	PHASE B	PHASE C	
OU	PHASE C	PHASE A	

REMARQUES :

- La trousse d'encastrement au plafond est conçue pour les unités électriques Platinum SII 2300 W et 3400 W seulement.
- Le raccordement à un système d'alimentation triphasé ne peut être effectué que pour les versions 208 V de l'appareil de chauffage électrique Platinum.

SCHÉMA DE CÂBLAGE POUR LA TROUSSE D'ENCASTREMENT À FAIBLE DÉGAGEMENT AU PLAFOND (POUR UTILISATION AVEC GRADATEUR OU L'INTERRUPTEUR MARCHÉ/ARRÊT DE DEUX APPAREILS DE CHAUFFAGE)

LE SCHÉMA CI-DESSOUS EST UN SCHÉMA SIMPLIFIÉ DE LA BOÎTE À BORNES. TOUTES LES CONNEXIONS AJUSTÉES PAR L'INSTALLATEUR SONT AFFICHÉES. LES ÉLÉMENTS NON AFFICHÉS NE DOIVENT PAS ÊTRE MODIFIÉS.



AVERTISSEMENT

L'appareil de chauffage monophasé CA doit être installé de façon permanente et le câblage doit être effectué par une personne autorisée/ agréée.

Ce produit est conçu pour être utilisé avec les appareils de chauffage électriques Platinum 220-240 V et 208 V.

	BRUN	BLEU	VERT/JAUNE
	SOUS TENSION/ALIMENTÉ	NEUTRE	MISE À LA TERRE
OU	BRANCHE CHAUDE 1	BRANCHE CHAUDE 1	
OU	PHASE A	PHASE B	
OU	PHASE B	PHASE C	
OU	PHASE C	PHASE A	

REMARQUES :

- Pour les instructions de câblage pour le gradateur électrique sans fil Bromic SmartHeat BH3130011-1 ou le contrôleur MARCHÉ/ARRÊT BH3130010-1, se référer aux instructions fournies avec le contrôleur ou le gradateur.
- Le raccordement à un système d'alimentation triphasé ne peut être effectué que pour les versions 208 V de l'appareil de chauffage électrique Platinum.
- *La boîte de jonction et les connexions à l'intérieur doivent être adaptées à la tension et à la capacité de courant des appareils de chauffage installés.

SCHÉMA ÉLECTRIQUE - POUR GRADATEUR OU INTERRUPTEUR MARCHÉ/ARRÊT

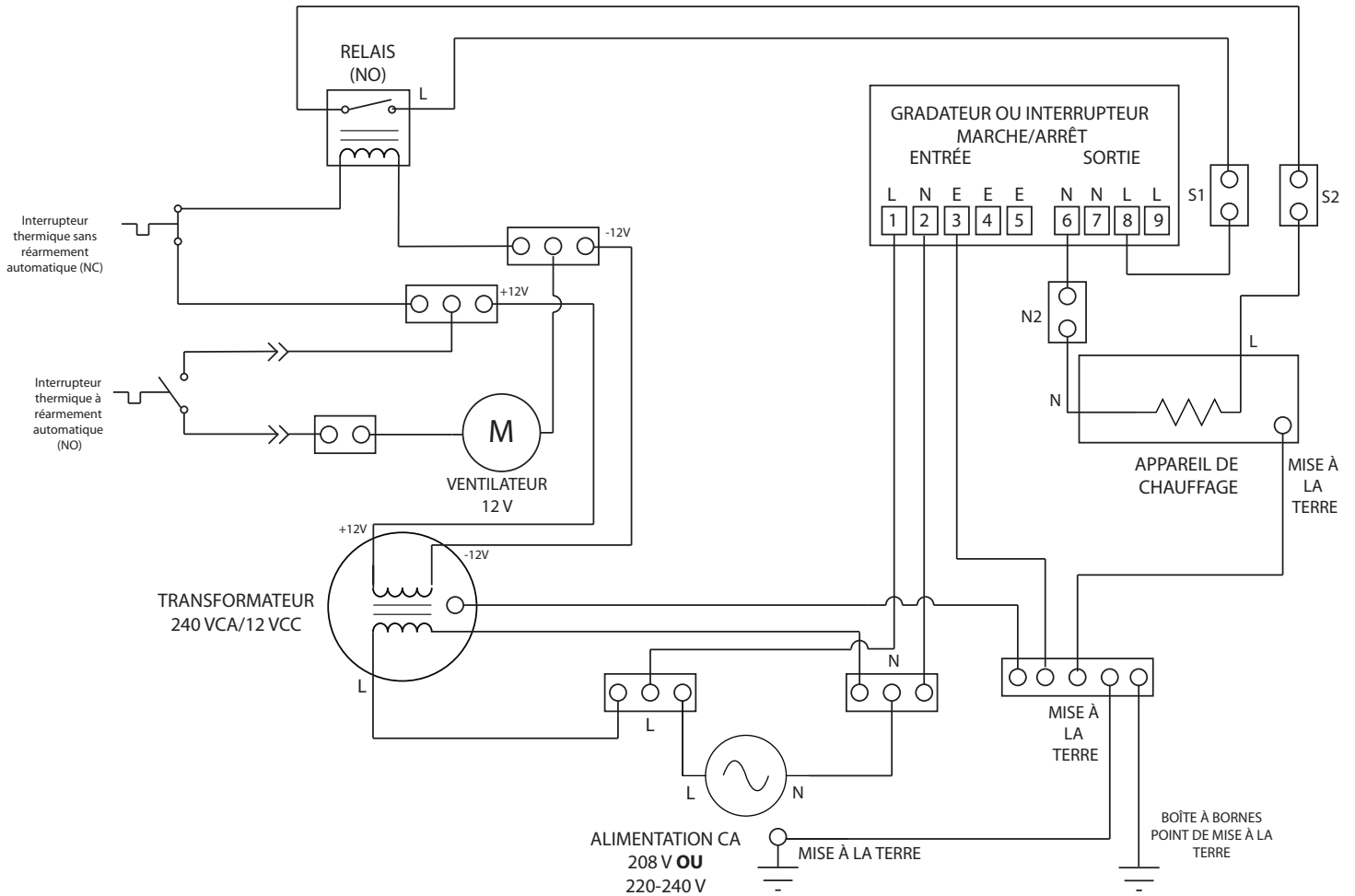


SCHÉMA ÉLECTRIQUE - POUR INTERRUPTEUR MURAL

